

TS-WX1010A

CLASS-D POWERED SUBWOOFER SYSTEM

Pioneer



**1100W
MAX**

25cm



BUILT-IN AMP.

TS-WX1010A

CLASS-D POWERED SUBWOOFER SYSTEM

Pioneer



- ハイパワーCLASS-Dアンプを搭載
- GAIN調整リモコン付属
- BASS BOOST機能を搭載

System	Sealed Enclosure System	総質量 10.2 kg
Woofer Size	25 cm	容積 0.062 m ³
Maximum Music Power	1 100 W	
Nominal Power	300 W	
Crossover Frequency	50 Hz ~ 125 Hz, -12 dB/oct.	1個入
Input Level	Speaker And RCA Level Inputs	XCNJP
Sensitivity	112 dB (±1.5 dB)	
Frequency Response	20 Hz ~ 125 Hz (-20 dB)	Ref :

保証書在中 販売店様の印を必ず押してください。

No.
PIONEER CORPORATION
MADE IN CHINA



BUILT-IN AMP.

TS-WX1010A

CLASS-D
POWERED SUBWOOFER SYSTEM



01.E9102716

Pioneer



Pioneer



**1100W
MAX**

25cm



BUILT-IN AMP.

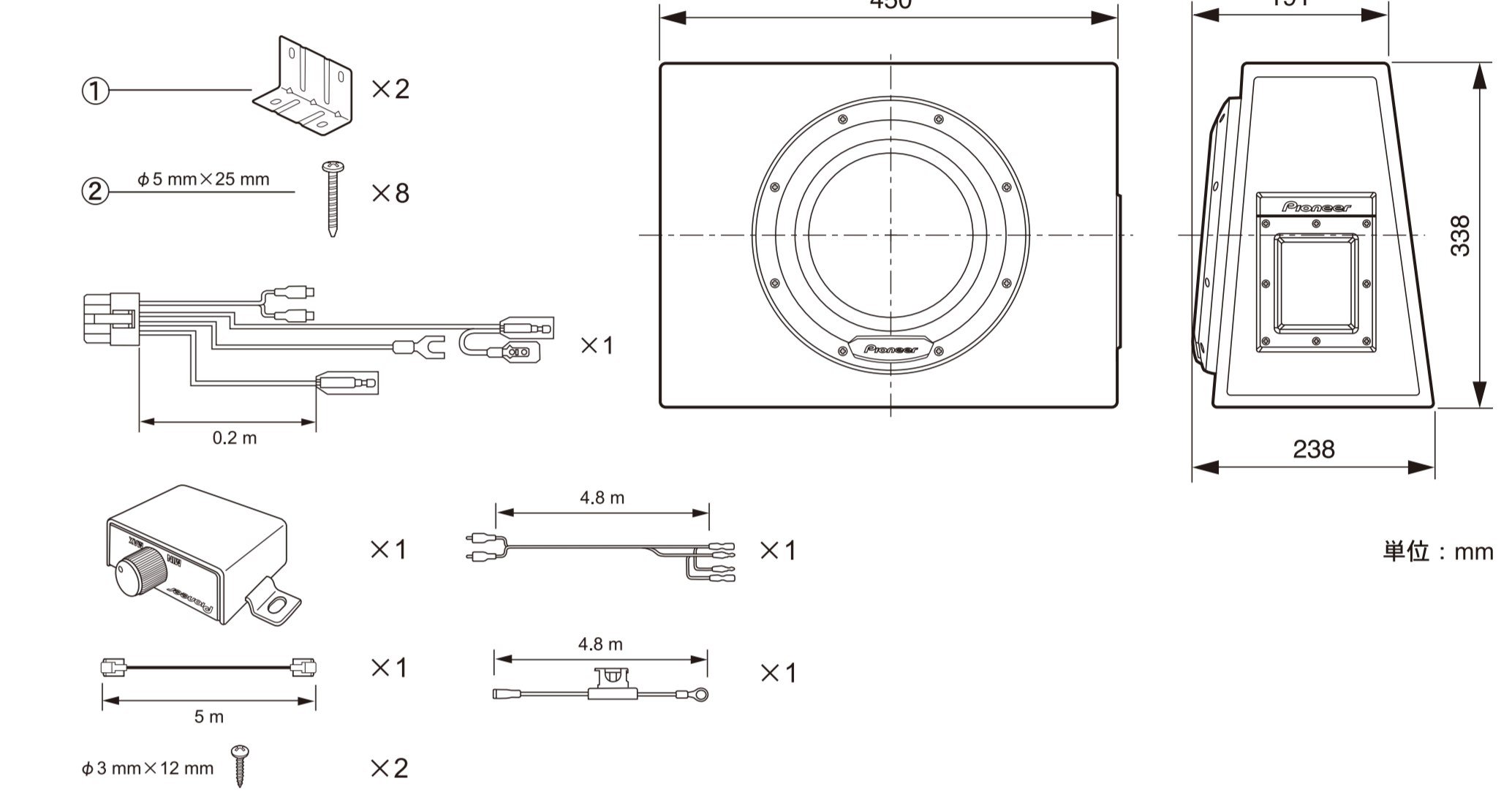
TS-WX1010A

CLASS-D POWERED SUBWOOFER SYSTEM

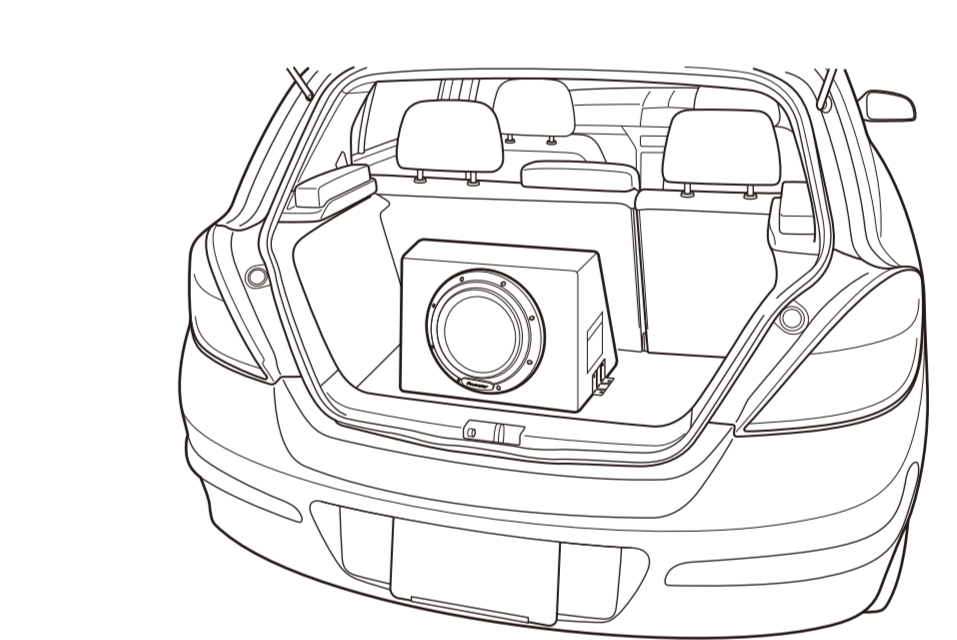
Pioneer



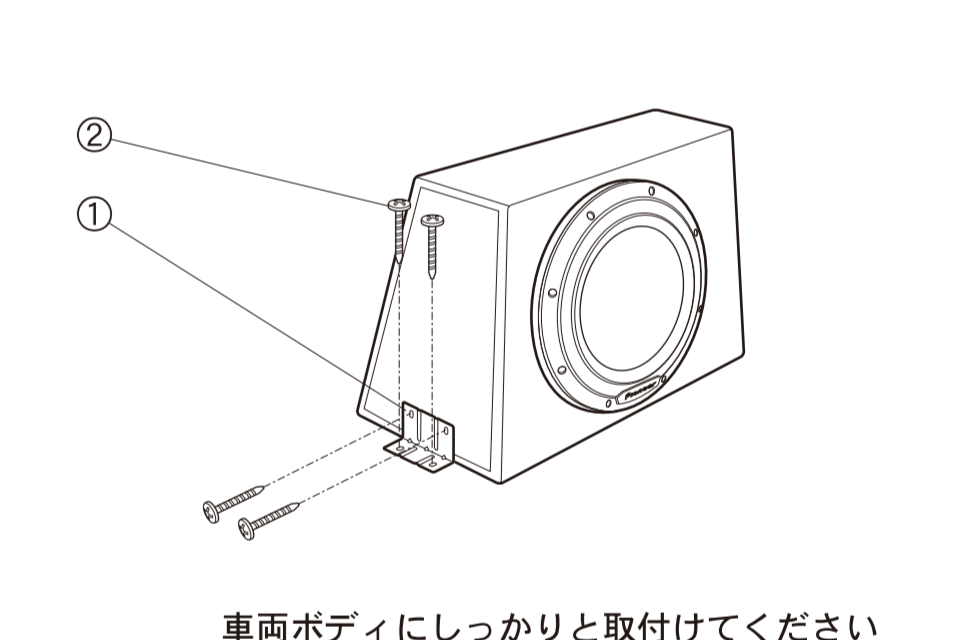
●付属品



●取付例



●取付方法



車両ボディにしっかりと取付けてください

BUILT-IN AMP.

TS-WX1010A

CLASS-D
POWERED SUBWOOFER SYSTEM

