

Pioneer

DVD-ROM DRIVE UNIT
LECTEUR DVD-ROM
DVD-ROM-LAUFWERK
DVD-ROM ドライブ

DVD-D7362

Operating instructions
Mode d'emploi
Bedienungsanleitung
取扱説明書

This product complies with the EMC Directives (89/336/EEC, 92/31/EEC) and CE Marking Directive (93/68/EEC).

Ce produit est conforme aux directives relatives à la compatibilité électromagnétique (89/336/CEE, 92/31/CEE) et à la directive CE relative aux marquages (93/68/CEE).

Dieses Produkt entspricht den EMV-Richtlinien (89/336/EEC, 92/31/EEC) und CE-Markierungsrichtlinien (93/68/EEC).

Questo prodotto è conforme alle direttive EMC (89/336/CEE, 92/31/CEE) e alla direttiva sul marchio CE (93/68/CEE).

Dit produkt voldoet aan de EMC-richtlijnen (89/336/EEC en 92/31/EEC) en de CE-markeringsrichtlijn (93/68/EEC).

Denna produkt uppfyller föreskrifterna i EMC-direktiv (89/336/EEC, 92/31/EEC) och CE-märkningsdirektiv (93/68/EEC).

Este producto cumple con las Directivas EMC (89/336/CEE, 92/31/CEE) y Directiva de Marcación CE (93/68/CEE).

Este produto cumpre com as Directivas EMC (89/336/CEE, 92/31/CEE) e Directiva da Marcação CE (93/68/CEE).

Dette produkt er i overensstemmelse med direktiverne vedrørende elektromagnetisk kompatibilitet (89/336/EEC, 92/31/EEC) og CE-direktivet vedrørende mærkning (93/68/EEC).

WARNING!

Om apparaten används på annat sätt än i denna bruksanvisning specificerats, kan användaren utsättas för osynlig laserstrålning som överskrider gränsen för laserklass 1.

ADVARSEL:

Usynlig laserstråling ved åbning når sikkerhedsafbrydere er ude af funktion. Undgå udsættelse for stråling.

VAROITUS!

Laitten käyttäminen muulla kuin tässä käyttöohjeessa mainitulla tavalla saattaa altistaa käyttäjän turvallisuusluokan 1 ylittävälle näkymättömälle lasersäteilylle.



LASER DIODE – This product contains a laser diode. To assure continued safety, **DO NOT** remove any covers or attempt to gain access to the inside of the product.

CAUTION:

USE OF CONTROLS OR ADJUSTMENTS OR PERFORMANCE OF PROCEDURES OTHER THAN THOSE SPECIFIED HEREIN MAY RESULT IN HAZARDOUS RADIATION EXPOSURE.

CAUTION:

USE OF OPTICAL INSTRUMENTS WITH THIS PRODUCT WILL INCREASE EYE HAZARD.

Thank you for buying this Pioneer product. Please read through these operating instructions so you will know how to operate your model properly. This product is an optional drive designed for exclusive use as the 700-disc changers, models DRM-7000. This means that this unit cannot be used alone or connected to other equipment than specified.

IMPORTANT NOTICE:
RECORD THE MODEL NUMBER AND SERIAL NUMBER OF THIS EQUIPMENT BELOW. THE NUMBERS ARE ON THE TOP PANEL.
MODEL NO. _____ DVD-D7362 _____
SERIAL NO. _____
KEEP THESE NUMBERS FOR FUTURE USE.

WARNING: TO PREVENT FIRE OR SHOCK HAZARD, DO NOT EXPOSE THIS APPLIANCE TO RAIN OR MOISTURE.

警告使用者：
 這是甲類的資訊產品，在居住的環境中使用時，可能會造成射頻干擾，在這種情況下，使用者會被要求採取某些適當的對策。

사용자안내문	
A급 기기	이 기기는 업무용으로 전자파적합등 목록한 기기 이오니 판매자 또는 사용자는이 점을 주의하시기 바라며 만약 잘못 판매 또는 구입하였을 때에는 가정용으로 교환하시기 바랍니다.

IMPORTANT

The lightning flash with arrowhead symbol, within an equilateral triangle, is intended to alert the user to the presence of uninsulated "dangerous voltage" within the product's enclosure that may be of sufficient magnitude to constitute a risk of electric shock to persons.

CAUTION
RISK OF ELECTRIC SHOCK
DO NOT OPEN

CAUTION:
TO PREVENT THE RISK OF ELECTRIC SHOCK, DO NOT REMOVE COVER (OR BACK). NO USER-SERVICEABLE PARTS INSIDE. REFER SERVICING TO QUALIFIED SERVICE PERSONNEL.

The exclamation point within an equilateral triangle is intended to alert the user to the presence of important operating and maintenance (servicing) instructions in the literature accompanying the appliance.

IMPORTANT

CAUTION
 This product contains a laser diode of higher class than 1. To ensure continued safety, do not remove any covers or attempt to gain access to the inside of the product. Refer all servicing to qualified personnel.

The following caution label appears on your unit.

Location: on top of the cover

CLASS 1 LASER PRODUCT
LASER KLASSE 1

This equipment has been tested and found to comply with the limits for a Class A digital device, pursuant to Part 15 of the FCC Rules. These limits are designed to provide reasonable protection against harmful interference when the equipment is operated in a commercial environment. This equipment generates, uses, and can radiate radio frequency energy and, if not installed and used in accordance with the instruction manual, may cause harmful interference to radio communications. Operation of this equipment in a residential area is likely to cause harmful interference in which case the user will be required to correct the interference at his own expense.

[For Canadian model]

This Class A digital apparatus complies with Canadian ICES-003.

[Pour le modèle Canadien]

Cet appareil numérique de la Classe A est conforme à la norme NMB-003 du Canada.

Information to User

Alteration or modifications carried out without appropriate authorization may invalidate the user's right to operate the equipment.

*The Generation of Acoustical Noise Is Less Than 70dB.
(ISO7779/DIN45635)*

FOR ENGLAND

Warning

This is a class A product. In a domestic environment this product may cause radio interference in which cause the user may be required to take adequate measures.

FOR FRANCE

Attention

Ce produit est de classe A. Dans un environnement domestique, il peut entraîner des interférences et l'utilisateur peut alors être amené à prendre les mesures qui s'imposent.

FOR GERMANY

Warnung

Dies ist ein Produkt der Klasse A. In einer häuslichen Umgebung kann dieses Produkt Störgeräusche (Funkstörungen) verursachen. In diesem Fall kann es erforderlich sein, geeignete Maßnahmen zu ergreifen.

FOR ITALY

Avvertenza

Questo è un prodotto di classe A. In ambiente domestico, questo prodotto può provocare interferenze radio per le quali l'utente deve adottare contromisure adeguate.

FOR SPAIN

Advertencia

Este es un producto de clase A. En un entorno doméstico, este producto Puede causar radiointerferencias internas que obliguen al usuario a tomar las medidas adecuadas.

FOR PORTUGAL

Aviso

Este produto pertence à classe A. Quando num ambiente doméstico este produto pode provocar rádio interferências para as quais o utilizador pode ter que tomar medidas adequadas.

FOR BELGIUM AND NETHERLANDS

Waarschuwing

Dit is een product dat tot klasse A behoort. In woningen kan dit product radiostoringen veroorzaken. In voorkomend geval moet de gebruiker gepaste maatregelen nemen.

FOR DENMARK

Advarsel

Dette er et klasse A-produkt, som kan forårsage radiointerferens ved brug i hjemmet. Hvis det er tilfældet, kan brugeren blive nødt til tage passende forholdsregler.

FOR SWEDEN

Varning

Det här är en klass A-produkt. I hemmiljö kan radiostörningar uppstå och användaren bör då vidta lämpliga åtgärder.

SAFETY INSTRUCTIONS

To ensure your personal safety and to maximize the full operating potential of your Drive, read and follow these safety precautions:

ENVIRONMENT - Please use the unit at a place where it is not subjected to vibrations or shocks.

READ INSTRUCTIONS - Read all safety and operating instructions before the Drive is operated.

RETAIN INSTRUCTIONS - Retain the safety and operating instructions for future reference.

FOLLOW INSTRUCTIONS - Follow all operating and use instructions.

HEED WARNINGS - All warnings must be adhered to.

WATER AND MOISTURE - DO NOT use this product near water.

OBJECT AND LIQUID ENTRY - Never push objects of any kind into this product. Touching dangerous voltage points may cause a short resulting in fire or electric shock. Do not spill liquid of any kind on this product.

CONDENSATION - Moisture will form in the operating section of the product causing performance to be impaired if it is brought from cool surroundings into a warmer environment. If you are moving the unit to a location with a warmer temperature, let the product stand for 1-2 hours in the new location before turning it back on.

SERVICING - Do not attempt to repair this product yourself. Opening or removing covers may expose you to dangerous voltage or other hazards. Refer all servicing to qualified service personnel.

FEATURES

- High-speed reading
Transfer rate (sustained): maximum 8,100 KBytes/sec. (DVD-ROM/DVD-R)
 maximum 4,800 KBytes/sec. (CD-ROM/CD-R)

NOTE:

The data transfer rate may not be output due to disc quality and record conditions.

- High-speed access (Random average):
 120 ms (DVD-ROM)
 90 ms (CD-ROM)

- SCSI-2 interface specifications
- SCSI bus termination
- Buffer size: 512 KBytes
- Applicable discs
DVD-ROM (DVD-5, DVD-9)
DVD-V
DVD-R
CD-ROM Mode 1
CD-ROM XA Mode 2 (Form 1, 2)
CD-DA
CD-R, CD Extra, Video CD support
CD-RW disc reading

NOTES:

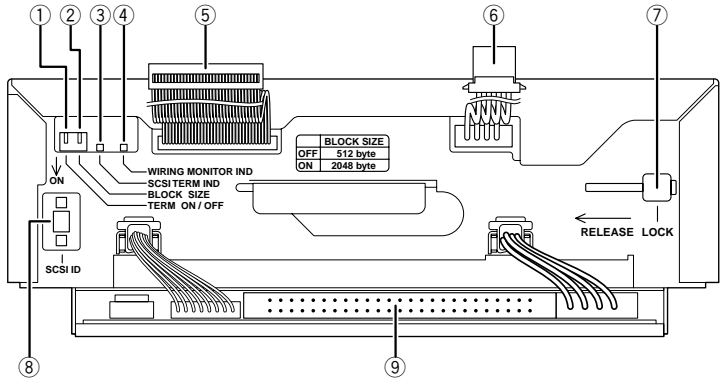
This product can read out CD-RW disc data. Note the following:

- (1) A little longer time is needed to sense a CD-RW disc when the operation starts, compared with standard CD-ROM discs.*
- (2) Since playback signal level of CD-RW is lower than the replicated CD discs, reading speed of those discs is lower than that of the replicated discs to ensure data reading.*
- (3) Blank discs, discs that you failed to write data or discs that session close processing has not been made - these discs cannot be used.*

- Correspondence to Kodak Photo CD multisession
- Conforming to MPC-3 specifications

A HARDWARE TOUR

REAR VIEW



① SCSI termination switch

This switch is used to turn the drive's internal SCSI termination switch on and off. Note that this switch is set on at the time of shipment.

② Data block size switch

This switch is used to set the data block size. When this switch is turned on the data block size is set to a length of 2048 bytes, and when it is set off the data block size is set to a length of 512 bytes.

③ Termination indicator

When the drive is installed in a changer and its power cable has been connected, this indicator lights up if the drive's SCSI termination switch has been turned on.

④ Wiring monitor indicator

Meaning of indicator when indicator is lit up:

- Indicates that a disc has been inserted into the drive.
- This indicator also lights up when the drive is installed in a changer and its power cable has been connected.

Meaning of indicator when indicator flashes in 2-second intervals:

- This indicator flashes in 2-second intervals when the drive is installed in a changer and its changer interface cable has been connected.

Meaning of indicator when indicator flashes in 0.5-second intervals:

- This indicator flashes in 0.5-second intervals when the drive in question has

been specified as the drive to be swapped during the swapping of drives.

⑤ Changer interface cable

This cable must be connected to the changer-internal changer interface connector.

⑥ Power cable

This cable must be connected to the power inlet located in the changer.

⑦ Lock lever

When a drive is to be removed from the changer, flip the lock lever to the released position and then pull the drive out from the changer.

⑧ SCSI ID switches

These switches are used to set the drive's SCSI ID. Pressing the upper switch causes the displayed SCSI ID to be decremented, and pressing the lower switch conversely causes the SCSI ID to be incremented. Note that SCSI ID is set to '0' at the time of shipment.

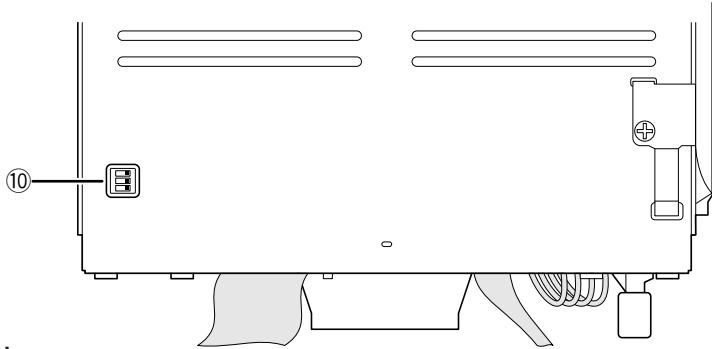
⑨ SCSI interface connector

This connector must be connected to the SCSI cable provided with the changer or to an add-on SCSI cable.

NOTE:

Be careful not to allow any part of your body to come into contact with connector pins, as doing so may result in faulty connections or damage from static electricity.

TOP VIEW



⑩ Function switch

ON OFF



This switch is used to check the device before shipment, and its setting should never be changed.

SCSI mode selection switch

OFF: SCSI-2 mode; burst transmission rate: 10 MByte/sec

ON: SCSI-3 mode; burst transmission rate: 20 MByte/sec

This switch is set off (SCSI-2 mode) at the time of shipment from the factory.

NOTE:

Ordinarily, we recommend using this unit with this switch left off (SCSI-2 mode). If this switch is set on (SCSI-3 mode), the unit could malfunction, depending on the connecting cables, usage environment, etc.

TO INSTALL THE DRIVE

For instructions on how to open the access doors, see the operating instructions for the DRM-7000 disc changer.

Before installation, be sure to specify the following settings at the rear of each drive to be installed.

● SCSI ID assignment

Specify the SCSI IDs to be used so as to ensure that the same SCSI ID is not assigned by more than one drive on the same SCSI bus.

● Termination

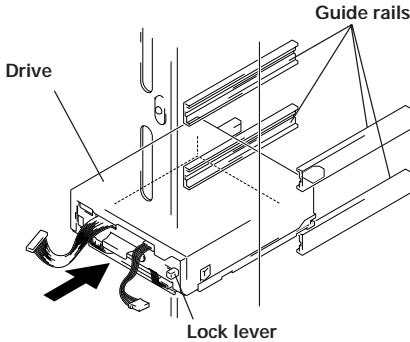
Set the termination switch of the last drive in the SCSI chain to the ON position.

Warning about static electricity

Always be sure never to touch the contacts or ports when operating drives.

Also be sure to touch a metallic surface on the changer before installing additional drives to the changer.

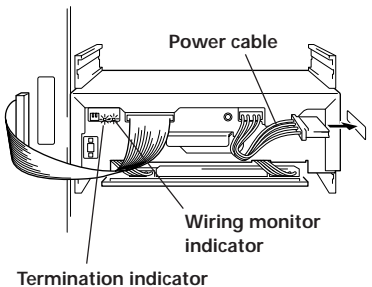
1. When inserting a drive, be sure to place the drive on the changer guide rails and push the drive in until the lock lever on the drive shifts to the locked position. Maybe you can hear a clicking sound then.



When a drive is to be removed from the changer, flip the lock lever to the released position and then pull the drive out from the changer.

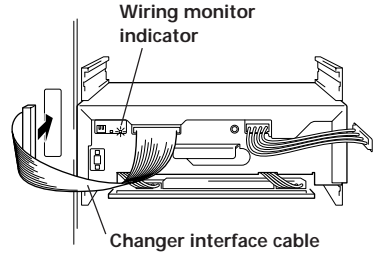
2. Connect the power cable.

- When the power cable has been connected, the wiring monitor indicator on the rear of the drives (orange) will light up.
- When the termination switch of the drive is set to on, the termination indicator (green) will light up.



3. Connect the changer interface cable.

- When the changer interface cable has been connected, the wiring monitor indicators will flash at two-second intervals.



NOTE:

Connect the changer interface cable to the connector corresponding to the bay in which the drives have been installed. (Note that labels are affixed to connectors indicating the corresponding bay number.) Note that it is extremely important to do this, as connecting the changer interface cable to a neighboring bay will result in damage to discs and the disc transport mechanism.

4. Connect SCSI cables.

The way in which SCSI cables should be connected differs depending on how the changer is to be configured. For further information on how to connect SCSI cables, see the operating instructions for the DRM-7000 disc changer.

ABOUT REGION CODES

Region codes are part of the DVD standard. There is a Region number located within one or all of the components required for DVD-VIDEO playback.

The region code on the DVD-D7362 can be changed **ONLY 5** times, including the 1st setting. Please be aware that the 5th change will be PERMANENT. Therefore please use caution when changing the region code.

NOTE:

The method of changing the Region number will vary depending on the Decoder/ Operating System used.

SPECIFICATIONS

[General functions]

Disc diameter	12 cm
Transfer rate (Sustained)	
DVD-ROM/DVD-R	maximum 8,100 KBytes/sec.*
CD-ROM/CD-R	maximum 4,800 KBytes/sec.*
* The data transfer rate may not be output due to disc quality and record conditions.	
Access time (Random average)	
DVD-ROM	120 ms
CD-ROM	90 ms
Data buffer capacity	512 KBytes

[Others]

Power supply	DC +12 V, 1.0 A DC +5 V, 1.0 A
External dimensions	187.2 (W) x 72.5 (H) x 260.7 (D) mm
Weight	1.8 kg
Operation temperature	+5 °C to +35 °C
Operation humidity	5 % to 85 % (no condensation)
Storage temperature	-40 °C to +60 °C
Storage humidity	5 % to 90 % (no condensation)

NOTE:

Specifications and design subject to possible modifications without notice, due to improvements.

Nous vous remercions de l'achat de ce produit Pioneer.

Pour savoir comment fonctionne ce modèle, veuillez lire attentivement ce mode emploi.

Ce produit est un lecteur disponible en option, destiné à un usage exclusif avec les changeurs à 700 disques (modèles DRM-7000). Cela signifie que vous ne pouvez pas utiliser cet appareil seul ou raccordé à un matériel non spécifié.

*La production de bruits acoustiques est inférieure à 70 dB.
(ISO7779/DIN45635)*

ATTENTION

Ce produit renferme une diode à laser d'une catégorie supérieure à 1. Pour garantir une sécurité constante, ne pas retirer les couvercles ni essayer d'accéder à l'intérieur de l'appareil. Pour toute réparation, s'adresser à un personnel qualifié.

L'étiquette d'avertissement suivante apparaît sur votre appareil.

Emplacement: sur le dessus du couvercle.

**CLASS 1 LASER PRODUCT
LASER KLASSE 1**

INSTRUCTIONS DE SECURITE

Pour garantir votre sécurité personnelle et obtenir le maximum de votre lecteur, lire et suivre ces consignes de sécurité:

ENVIRONNEMENT - Utiliser l'appareil à un endroit où il n'est pas soumis à des vibrations ou des chocs.

LIRE LES INSTRUCTIONS - Lire toutes les instructions de sécurité et d'utilisation avant d'actionner le lecteur.

CONSERVER LES INSTRUCTIONS - Garder les instructions de sécurité et d'utilisation pour une future référence.

SUIVRE LES INSTRUCTIONS - Suivre toutes les instructions de fonctionnement et d'utilisation.

ATTENTION AUX AVERTISSEMENTS - Observer tous les avertissements.

EAU ET HUMIDITE - NE PAS utiliser ce produit à proximité d'eau.

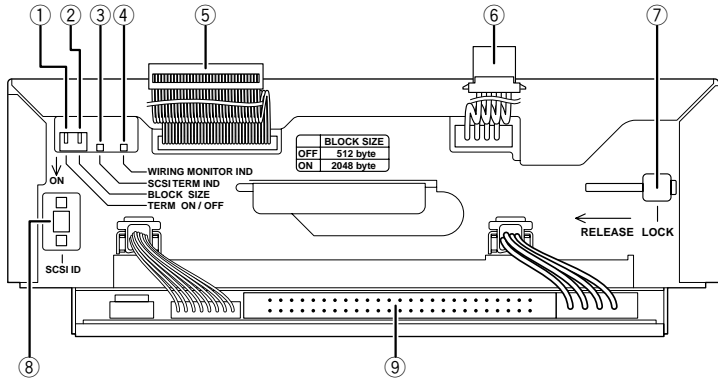
PENETRATION D'OBJETS ET DE LIQUIDES - Ne jamais enfoncer d'objet d'aucune sorte dans ce produit. Le contact avec des points de tension dangereux peut provoquer un court-circuit, entraînant un incendie ou une secousse électrique. Ne pas verser de liquide d'aucune sorte sur ce produit.

CONDENSATION - De l'humidité se forme sur la section de fonctionnement du produit entraînant une baisse de performances s'il est amené d'un endroit frais vers un environnement plus chaud. En cas de déplacement de l'appareil vers un endroit ayant une température plus chaude, laisser le produit pendant 1 à 2 heures dans le nouvel endroit avant de le remettre sous tension.

ENTRETIEN - Ne pas essayer de réparer soi-même ce produit. L'ouverture ou le retrait des capots peut vous exposer à une tension dangereuse ou d'autres dangers. Pour tout entretien, demander à un personnel d'entretien qualifié.

TOUR DU MATERIEL

VUE DE DERRIERE



① Commutateur de terminaison SCSI

Ce commutateur sert à activer et désactiver la terminaison SCSI interne du lecteur. Notez que la terminaison est activée au départ de l'usine.

② Commutateur de taille de bloc de données

Ce commutateur sert à régler la taille des blocs de données. Lorsqu'il est activé, la taille des blocs de données est réglée sur 2048 octets. Lorsqu'il est désactivé, la taille est de 512 octets.

③ Voyant de terminaison

Lorsque le lecteur est installé dans un changeur et le câble d'alimentation est raccordé, ce voyant s'allume si la terminaison SCSI du lecteur a été activée.

④ Voyant de contrôle de câblage

Lorsque ce voyant est allumé, cela signifie que:

- Un disque a été introduit dans le lecteur.
- Le lecteur est installé dans le changeur et son câble d'alimentation a été raccordé.

Lorsque le voyant clignote toutes les 2 secondes, cela signifie que:

- Le lecteur est installé dans le changeur et son câble d'interface changeur a été raccordé.

Lorsque le voyant clignote toutes les demies secondes, cela signifie que:

- Le lecteur en question a été spécifié comme le lecteur devant être échangé pendant une opération d'échange de lecteurs.

⑤ Câble d'interface changeur

Ce câble doit être raccordé au connecteur interne de l'interface changeur.

⑥ Câble d'alimentation

Ce câble doit être raccordé à la prise de courant du changeur.

⑦ Levier de verrouillage

Lorsqu'un lecteur doit être enlevé du changeur, mettez le levier sur la position déverrouillée et retirez le lecteur du changeur.

⑧ Commutateurs de code d'identification SCSI

Ces commutateurs servent à régler le code d'identification SCSI du lecteur. En appuyant sur le commutateur du haut, vous diminuez le code d'identification SCSI affiché, tandis qu'en appuyant sur celui du bas vous l'augmentez. Notez que ce code est réglé sur '0' au départ de l'usine.

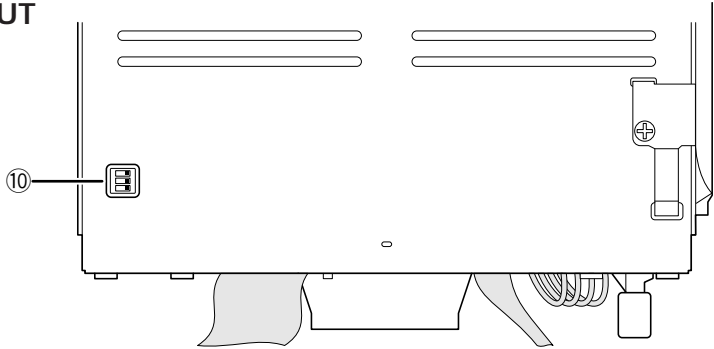
⑨ Connecteur d'interface SCSI

Ce connecteur doit être raccordé au câble SCSI fourni avec le changeur ou à un câble SCSI acheté en option.

REMARQUE:

Ne touchez pas aux broches du connecteur sous peine de détériorer la qualité du raccordement ou d'endommager le connecteur par l'électricité statique.

VUE D'EN HAUT



⑩ Commutateur de fonction

ON OFF



Ce commutateur sert à vérifier l'appareil avant son expédition.
Ne changez jamais sa position.

Commutateur de sélection de mode SCSI

OFF: mode SCSI-2; débit de transmission en rafale: 10 MO/s

ON: mode SCSI-3; débit de transmission en rafale: 20 MO/s

Ce commutateur est réglé sur OFF (mode SCSI-2) au départ de l'usine.

REMARQUE:

Il est préférable de laisser ce commutateur réglé sur OFF (mode SCSI-2).

S'il est réglé sur ON (mode SCSI-3), l'appareil pourrait mal fonctionner à cause des câbles de connexion, de l'environnement d'utilisation, etc.

POUR INSTALLER LE LECTEUR

Pour savoir comment ouvrir les portes d'accès, reportez-vous au mode d'emploi du changeur de disque DRM-7000.

Avant toute installation, assurez-vous d'effectuer les réglages suivants à l'arrière de chaque lecteur à installer.

- **Attribution de codes d'identification SCSI**

Spécifiez les codes d'identification SCSI à utiliser de façon à ce que le même code d'identification SCSI ne soit pas attribué à plus d'un lecteur raccordé au même bus SCSI.

- **Terminaison**

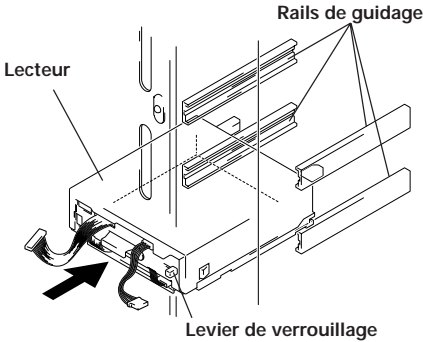
Réglez le commutateur de terminaison du dernier lecteur de la chaîne SCSI sur ON (activée).

Avertissement concernant l'électricité statique

Assurez-vous de ne jamais toucher les contacts ou les ports en manipulant les lecteurs. Assurez-vous de toucher une des surfaces métalliques du changeur avant d'ajouter des lecteurs au changeur.

POUR INSTALLER LE LECTEUR

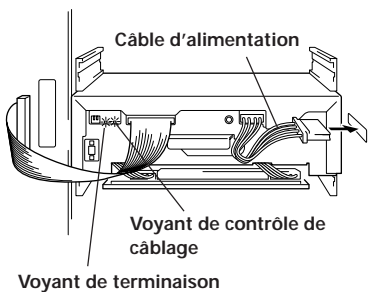
1. Lorsque vous introduisez un lecteur, posez-le sur les rails de guidage du changeur et appuyez jusqu'à ce que le levier de verrouillage du lecteur s'enclenche en position verrouillé. Il se peut que vous entendiez un léger clic.



Lorsque vous devez enlever un lecteur du changeur, mettez le levier sur la position déverrouillée et retirez le lecteur du changeur.

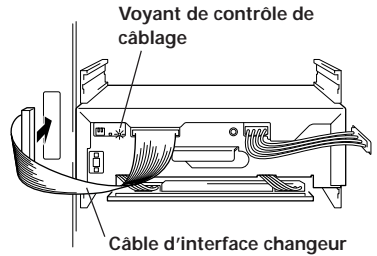
2. Raccordez le câble d'alimentation.

- Lorsque le câble d'alimentation est raccordé, le voyant de contrôle de câblage à l'arrière du lecteur (orange) s'allume.
- Lorsque le commutateur de terminaison du lecteur est activé, le voyant de terminaison (vert) s'allume.



3. Raccordez le câble d'interface changeur.

- Lorsque le câble d'interface changeur est raccordé, les voyants de contrôle de câblage clignotent toutes les deux secondes.



REMARQUE:

Raccordez le câble d'interface changeur au connecteur qui correspond à la baie dans laquelle les lecteurs ont été installés. (Notez que des étiquettes ont été collées aux connecteurs, indiquant le numéro de baie correspondant.) Ceci est très important, car si vous raccordez le câble d'interface changeur à une baie voisine, vous endommagerez les disques et le mécanisme de transport de disque.

4. Raccordez les câbles SCSI.

La façon de raccorder les câbles SCSI dépend de la configuration du changeur. Pour de plus amples informations sur le raccordement de câbles SCSI, reportez-vous au mode d'emploi du changeur de disque DRM-7000.

A PROPOS DES CODES REGIONAUX

Les codes régionaux sont couverts par la norme DVD. Un code régional figure dans un ou plusieurs composants nécessaires à la lecture des disques DVD-VIDEO.

Le code régional du DVD-D7362 peut être modifié 5 fois **SEULEMENT** (premier réglage compris). N'oubliez donc pas que la cinquième modification devient DEFINITIVE. Soyez donc particulièrement vigilant lorsque vous modifiez le code régional.

REMARQUE:

Le mode de modification du code régional dépend du décodeur/système d'exploitation utilisé.

FICHE TECHNIQUE

[Généralités]

Diamètre du disque	12 cm
Vitesse de transmission (Continu)	
DVD-ROM/DVD-R	maximum 8.100 KO/s*
CD-ROM/CD-R	maximum 4.800 KO/s*
* <i>Il se peut que le taux de transfert de données ne soit pas affiché en raison de la qualité du disque et des conditions d'enregistrement.</i>	
Temps de recherche (Aléatoire moyenne)	
DVD-ROM	120 ms
CD-ROM	90 ms
Capacité de mémoire tampon de données	512 KO

[Divers]

Alimentation	CC +12 V, 1,0 A CC +5 V, 1,0 A
Dimensions externes	187,2 (L) x 72,5 (H) x 260,7 (P) mm
Poids	1,8 kg
Température de fonctionnement	+5 °C à +35 °C
Humidité de fonctionnement	5 % à 85 % (sans condensation)
Température de rangement	-40 °C à +60 °C
Humidité de rangement	5 % à 90 % (sans condensation)

REMARQUE:

Aux fins d'amélioration, les caractéristiques techniques et la conception sont susceptibles de modification sans préavis.

Vielen Dank für den Kauf dieses Pioneer-Produkts.

Bitte lesen Sie diese Bedienungsanleitung sorgfältig durch, um sich mit der Bedienung des Geräts vertraut zu machen. Dieses Produkt ist ein optionales Laufwerk, das nur bei 700-Disc-Wechsler der Reihe DRM-7000 eingesetzt werden kann. Dieses Laufwerk kann also nicht als selbständiges Gerät betrieben werden oder an andere als die angegebenen Geräte angeschlossen werden.

WARNUNG: UM EINEN BRAND ODER STROMSCHLAG ZU VERMEIDEN, DIESES GERÄT NICHT REGEN ODER FEUCHTIGKEIT AUSSETZEN.

*Das Geräuschaufkommen beträgt weniger als 70 dB.
(ISO 7779/DIN 45635)*

Warnung:

Dieses Produkt entspricht dem EMV-Standard der Klasse A. Produkte dieser Klasse sind nur für den industriellen Einsatz geeignet und dürfen in Wohn- und Gewerbegebieten nicht ohne ausreichende Entstörungsmaßnahmen betrieben werden.

VORSICHT

Dieses Gerät enthält eine Laserdiode mit einer höheren Klasse als 1. Um einen stets sicheren Betrieb zu gewährleisten, weder irgendwelche Abdeckungen entfernen, noch versuchen, sich zum Geräteinneren Zugang zu verschaffen. Alle Wartungsarbeiten sollten qualifiziertem Kundendienstpersonal überlassen werden.

Das nachstehende Hinweisschild befindet sich am Gerät.

Anbringstelle: auf der Deckeloberseite.

**CLASS 1 LASER PRODUCT
LASER KLASSE 1**

SICHERHEITSANWEISUNGEN

Um Ihre eigene Sicherheit sicherzustellen, und um die volle Funktion Ihres DVD-ROM-Laufwerks zu maximieren, lesen Sie diese Sicherheitsvorschriften bitte sorgfältig durch:

BETRIEBSBEDINGUNGEN - Wählen Sie einen Ort, wo keine Vibrationen bzw. starke Erschütterungen auf das Gerät einwirken können.

LESEN SIE DIE ANLEITUNGSSCHRITTE - Vor der Inbetriebnahme des DVD-ROM-Laufwerks sind alle Sicherheits- und Betriebsanleitungen durchzulesen.

AUFBEWAHRUNGSHINWEISE - Bewahren Sie die Sicherheits- und Betriebsanleitungen für zukünftige Benutzung griffbereit auf.

BEFOLGUNG DER ANLEITUNGSSCHRITTE - Befolgen Sie bitte alle Bedienungs- und Handhabungshinweise.

BEACHTUNG ALLER WARNUNGEN - Sämtliche Warnhinweise müssen sorgfältig beachtet werden.

WASSER UND FEUCHTIGKEIT - Betreiben Sie das Gerät **NIEMALS** in unmittelbarer Nähe von Wasser!

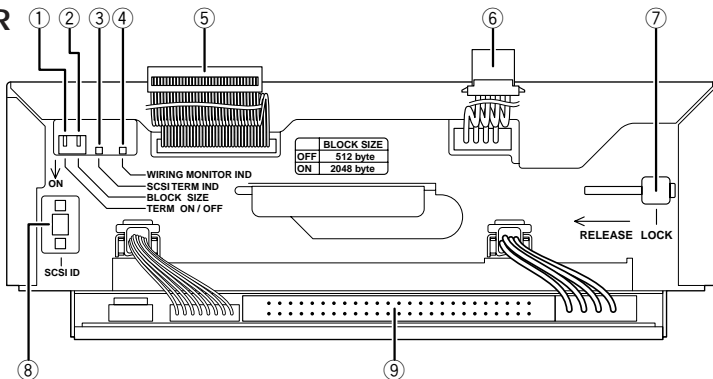
EINDRINGEN VON FLÜSSIGKEITEN UND FREMDKÖRPERN - Niemals Fremdkörper in das Geräteinnere eindringen lassen. Das Berühren von unter Spannung stehenden Kontakten kann zu einem Kurzschluß führen, was einen Brand oder Stromschlag auslösen kann. Vorsicht, damit keine Flüssigkeiten auf dem Gerät verschüttet werden.

KONDENSATION - Wenn das Gerät von einem kalten in einen warmen Raum gebracht wird, verursacht der Feuchtigkeitsniederschlag in Gerät eine merkliche Leistungsminderung. Betreiben Sie das Gerät deshalb nicht für ca. 1 bis 2 Stunden, bis sich die Bauteile der Umgebungstemperatur angeglichen haben.

WARTUNG - Nicht den Versuch unternehmen, das Gerät selbst zu reparieren! Das Öffnen oder Entfernen von Abdeckungen kann einen Stromschlag sowie andere Gefahren auslösen. Überlassen Sie sämtliche Wartungsarbeiten unserem qualifizierten Kundendienstpersonal.

BESCHREIBUNG DER HARDWARE

ANSICHT DER RÜCKSEITE



① SCSI-Abschluß-Schalter

Mit diesem Schalter wird der interne SCSI-Abschlußschalter ein- und ausgeschaltet. Werkseitig ist dieser Schalter eingeschaltet.

② Schalter für die Datenblockgröße

Mit diesem Schalter wird die Datenblockgröße eingestellt. Wenn dieser Schalter eingeschaltet ist, ist die Datenblockgröße auf 2048 Bytes eingestellt, und bei ausgeschaltetem Schalter ist ein Wert von 512 Bytes eingestellt.

③ Anzeige des Abschlusses

Wenn ein Laufwerk in den Wechsler eingebaut ist und dessen Spannungsversorgungskabel angeschlossen ist, leuchtet diese Anzeige bei eingeschaltetem SCSI-Abschlußschalter des Laufwerks.

④ Verkabelungsüberwachungsanzeige

Die leuchtende Anzeige bedeutet folgendes:

- In das Laufwerk wurde eine Disc eingesetzt.
- Das Laufwerk wurde in einen Wechsler eingebaut und das Laufwerk-Spannungsversorgungskabel wurde angeschlossen.

Das Blinken der Anzeige in 2-Sekunden-Intervallen bedeutet folgendes:

- Das Laufwerk wurde in einen Wechsler eingebaut, und dessen Wechsler-Schnittstellenkabel wurde angeschlossen.

Das Blinken der Anzeige in 0,5-Sekunden-Intervallen bedeutet folgendes:

- Das betreffende Laufwerk wurde als das auszutauschende Laufwerk angegeben.

⑤ Wechsler-Schnittstellenkabel

Dieses Kabel muß an den internen Wechsler-Schnittstellenanschluß angeschlossen werden.

⑥ Netzkabel

Diese Kabel muß an die Netzspannungsbuchse, die sich im Wechsler befindet, angeschlossen werden.

⑦ Blockierhebel

Wenn ein Laufwerk aus dem Wechsler entfernt werden soll, lösen Sie den Blockierhebel, und ziehen Sie das Laufwerk aus dem Wechsler.

⑧ SCSI-ID-Schalter

Mit diesen Schaltern können Sie die SCSI-ID des Laufwerks einstellen. Durch Drücken des oberen Schalters wird die angezeigte SCSI-ID verringert, und durch Drücken des unteren Schalters erhöht. Werkseitig ist die SCSI-ID auf 0 eingestellt.

⑨ SCSI-Schnittstellenbuchse

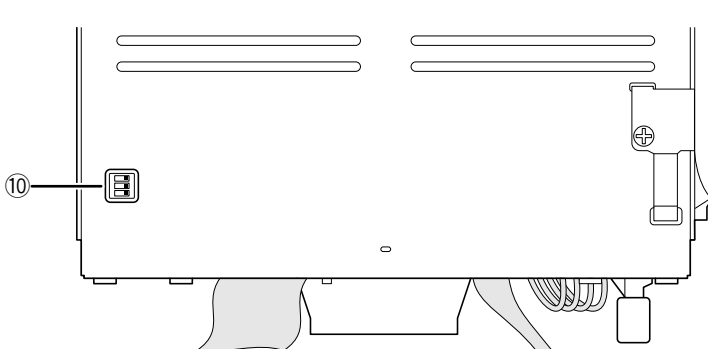
An diese Buchse muß das dem Wechsler beiliegende SCSI-Kabel angeschlossen werden, oder ein Zubehörkabel.

HINWEIS:

Die Anschlußstifte dürfen Sie auf keinen Fall berühren. Die Folge wären möglicherweise fehlerhafte Verbindungen oder Beschädigungen aufgrund statischer Elektrizität.

BESCHREIBUNG DER HARDWARE

ANSICHT VON OBEN



10 Funktionsschalter

ON OFF



Mit diesem Schalter wird das Gerät vor der Lieferung überprüft. Diese Schaltereinstellung darf nicht geändert werden.

SCSI-Moduswahlschalter

OFF: SCSI-2-Modus; Burst-Übertragungsrate: 10 Mbyte/s

ON: SCSI-3-Modus; Burst-Übertragungsrate: 20 Mbyte/s

Werkseitig ist dieser Schalter ausgeschaltet (SCSI-2-Modus).

HINWEIS:

In der Regel sollte dieser Schalter ausgeschaltet bleiben (SCSI-2-Modus).

Wenn dieser Schalter eingeschaltet ist (SCSI-3-Modus), kann es je nach verwendeten Anschlußkabeln, Betriebsumgebung usw. zu Fehlfunktionen im Gerät kommen.

INSTALLATION DES LAUFWERKS

Anweisungen zum Öffnen der Türen finden Sie in der Bedienungsanleitung für den Disc-Wechsler DRM-7000.

Vor dem Einsetzen müssen Sie die folgenden Einstellungen auf der Rückseite eines jeden zu installierenden Laufwerks festlegen.

● SCSI-ID-Zuweisung

SCSI-IDs fest, wobei Sie die gleiche SCSI-ID nur für jeweils ein Laufwerk an einem SCSI-Bus vergeben dürfen.

● Abschluß

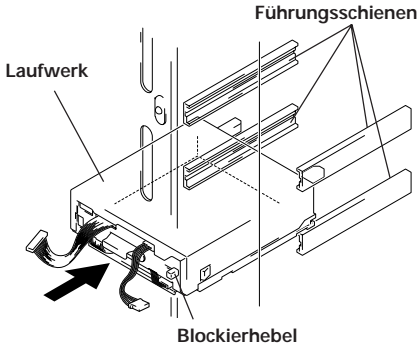
Bei dem letzten Laufwerk in der SCSI-Kette schalten Sie den Schalter TERM auf die Position ON.

Warnung vor elektrostatischer Aufladung

Beim Betrieb von Laufwerken dürfen Sie niemals die Kontakte oder Anschlüsse berühren.

Fassen Sie eine metallische Oberfläche des Wechslers an, bevor Sie zusätzliche Laufwerke in den Wechsler einbauen.

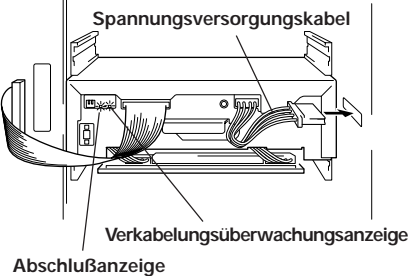
1. Setzen Sie das Laufwerk auf die Führungsschienen des Wechslers, und schieben Sie das Laufwerk hinein, bis der Blockierhebel des Laufwerks einrastet. Möglicherweise hören Sie ein Klickgeräusch.



Wenn ein Laufwerk aus dem Wechsler entfernt werden soll, lösen Sie den Blockierhebel, und ziehen Sie das Laufwerk aus dem Wechsler.

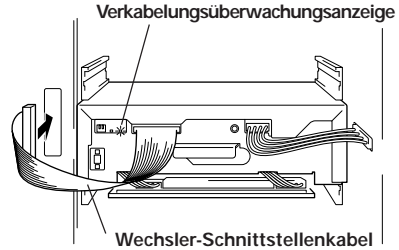
2. Schließen Sie das Spannungsversorgungskabel an.

- Nachdem das Spannungsversorgungskabel angeschlossen wurde, leuchtet die Verkabelungsüberwachungsanzeige (Orange) auf der Laufwerk-Rückseite auf.
- Wenn beim Laufwerk der Schalter für den Abschluß eingeschaltet ist, leuchtet die Abschlußanzeige (Grün) auf.



3. Schließen Sie das Wechsler-Schnittstellenkabel an.

- Nachdem das Wechsler-Schnittstellenkabel angeschlossen wurde, blinken die Verkabelungsüberwachungsanzeigen in 2-Sekunden-Intervallen.



HINWEIS:

Achten Sie darauf, das Wechsler-Schnittstellenkabel mit dem Anschluß zu verbinden, der dem Fach entspricht, in welches die Laufwerke eingebaut wurden. (Die Anschlüsse sind mit den zugehörigen Fachnummern beschriftet.) Dies ist äußerst wichtig, da der Anschluß des Wechsler-Schnittstellenkabels an ein benachbartes Fach zur Beschädigung von Discs und des Disc-Transportmechanismus führen kann.

4. SCSI-Kabel anschließen.

Wie die SCSI-Kabel angeschlossen werden müssen, hängt von der jeweiligen Konfiguration des Wechslers ab. Anweisungen zum Anschließen von SCSI-Kabeln finden Sie in der Bedienungsanleitung für den Disc-Wechsler DRM-7000.

WISSENSWERTES ÜBER REGIONALCODES

Regionalcodes sind Teil des DVD-Standards. Innerhalb einer oder aller für DVD-VIDEO-Wiedergabe erforderlichen Komponenten befindet sich eine Regionalnummer.

Der Regionalcode auf dem DVD-D7362 kann **NUR** 5mal geändert werden, einschließlich der 1. Einstellung. Denken Sie bitte daran, dass die 5. Änderung PERMANENT ist und lassen Sie deshalb bei der Änderung des Regionalcodes Vorsicht walten.

HINWEIS:

Die Methode zur Änderung der Regionalnummer ist je nach verwendetem Decoder/ Betriebssystem unterschiedlich.

TECHNISCHE DATEN

[Allgemeine Funktionen]

CD-ROM-Durchmesser	12 cm
Datentransferrate (Dauerbetrieb)	
DVD-ROM/DVD-R	maximum 8.100 KBytes/s*
CD-ROM/CD-R	maximum 4.800 KBytes/s*
* Die maximale Datentransferrate kann möglicherweise aufgrund der Disc-Qualität und Aufnahmebedingungen nicht erzielt werden.	
Zugriffszeit (Zufallszugriff durchschn.)	
DVD-ROM	120 ms
CD-ROM	90 ms
Datenpufferkapazität	512 KByte

[Sonstiges]

Spannungsversorgung	Gleichstrom +12 V, 1,0 A
(Mit eingebautem Abschlußteil)	Gleichstrom +5 V, 1,0 A
Außenabmessungen	187,2 (B) x 72,5 (H) x 260,7 (T) mm
Gewicht	1,8 kg
Betriebstemperatur	+5 °C bis +35 °C
Betriebluftfeuchtigkeit	5 % bis 85 % (keine Kondensation)
Lagertemperatur	-40 °C bis +60 °C
Lagerluftfeuchtigkeit	5 % bis 90 % (keine Kondensation)

HINWEIS:

Technische Änderungen zum Zweck der Produktverbesserung ohne vorherige Bekanntmachung vorbehalten.

このたびは、パイオニアの製品をお買い求めいただきまして、まことにありがとうございます。本機の機能を十分に発揮させて効果的にご利用いただくために、この取扱説明書を本機ご使用前に最後まで必ずお読みください。

本機は700枚ディスクチェンジャー「DRM-7000」専用のオプションドライブです。本機単体での使用および他の機器への取り付けはできません。

使用上の注意

本機を操作する前に、必ずこの取扱説明書をお読みください。

お読みになった後は、必ず保管してください。使用中にわからないことや不具合が生じたとき、きっとお役に立ちます。

振動や衝撃の加わらないようにしてください。

異物や水が入らないよう注意してください。

結露に注意してください。結露した場合は、1～2時間程度放置してから使用してください。

内部点検や改造はお止めください。

ホコリの多い場所や、高温・多湿の場所では使用しないでください。

ご使用中に本機から異常な音やにおいがしたときは、必ず電源を切ってから点検を受けてください。

特 長

- データ転送速度（サステイン）

max. 8,100 KB/s (DVD-ROM/DVD-R)

max. 4,800 KB/s (CD-ROM/CD-R)

* 使用するディスクの品質及び記録状態によっては、転送レートが低下します。

- アクセスタイム（ランダムアクセス平均）

120 ms (DVD-ROM)

90 ms (CD-ROM)

- ホストインターフェース

SCSI-2 (Fast SCSI)

- バッファサイズ

512 KB

- 対応フォーマット

DVD-ROM (DVD-5、DVD-9)

DVD-Video

DVD-R

CD-ROM Mode 1

CD-ROM XA Mode 2 (form 1、form 2)

CD-DA、CD-R、CD-Extra、Video-CD

CD-RW*

* 本機はCD-RWディスクの読み出しをサポートしていますが、以下の点に留意してください。

1. CD-RWディスクを判別するために通常のディスクよりも起動時間がかかります。
2. CD-RWの再生信号レベルは通常のCDよりも小さいため、CD-RWディスクの読み出し速度は、通常のCDディスクよりも遅くなります。
3. ブランクディスクや書き込みに失敗したディスク、セッションクローズ処理が行われていないディスク等は使用できません。

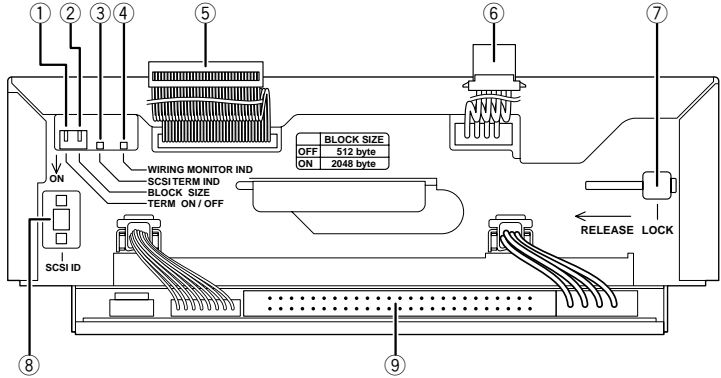
- Kodak フォトCDマルチセッション対応

- MPC Level 3 準拠

- SCSIバスターミネータ搭載

各部の名称とはたらき

後面部

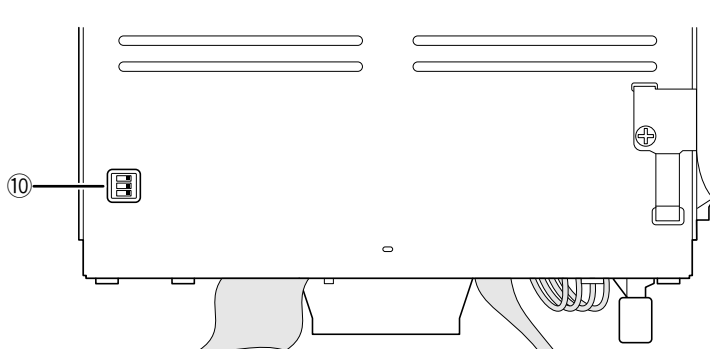


- ① SCSI ターミネートスイッチ
ドライブ内蔵の SCSI ターミネータの ON/OFF を設定します。
出荷時は「ON」に設定してあります。
- ② データブロックサイズスイッチ
データブロックサイズを切り換えます。
ON : 2048 byte
OFF : 512 byte
出荷時は「ON」に設定してあります。
- ③ ターミネートインジケータ
ドライブをチェンジャーに装着し、電源用ケーブルを接続したとき、ドライブの SCSI ターミネートスイッチが ON であれば点灯します。
- ④ ワイヤリングモニタインジケータ
点灯：
 - ディスクがドライブ内にあるとき。
 - ドライブをチェンジャーに装着し、電源用ケーブルを接続したとき。2 秒周期で点滅：
 - ドライブをチェンジャーに装着し、チェンジャーインタフェースケーブルを接続したとき。0.5 秒周期で点滅：
 - チェンジャーの「ドライブ交換ガイド機能」で、交換するドライブに指定されたとき。
- ⑤ チェンジャーインタフェースケーブル
チェンジャー内部のチェンジャーインタフェースコネクタに接続します。
- ⑥ 電源用ケーブル
チェンジャー内部の電源コネクタに接続します。
- ⑦ ロックレバー
ドライブをチェンジャーから取り外すときは、ロックレバーを「RELEASE」側に倒しながらドライブを引き抜きます。
- ⑧ SCSI ID スイッチ
ドライブの SCSI ID を設定します。
上を押すと数字がダウンし、下を押すと数字がアップします。
出荷時は「0」に設定してあります。
- ⑨ SCSI インタフェースコネクタ
チェンジャーに付属の SCSI ケーブルまたはオプションの SCSI ケーブルと接続します。

ご注意：

コネクタの端子部に触らないでください。
接触不良や静電気破壊の原因となります。

上面部



⑩ ファンクションスイッチ

ON OFF



このスイッチは工場出荷時の検査に使用します。
設定を変えないでください。

SCSIモード切換スイッチ

OFF SCSI-2モード パースト転送レート 10MByte/sec

ON SCSI-3モード パースト転送レート 20MByte/sec

工場出荷時はOFF (SCSI-2モード) に設定されています。

注意) 通常のご使用ではOFF (SCSI-2モード) の設定のままお使いいただくことを推奨します。

ON (SCSI-3モード) に設定した場合、お使いの接続ケーブルや使用環境等によっては正常に動作しない事があります。

ドライブの取り付けかた

ドアの開け方については700枚ディスクチェンジャー「DRM-7000」の取扱説明書をご参照ください。

取り付ける前に、ドライブの後面で以下の設定をしてください。

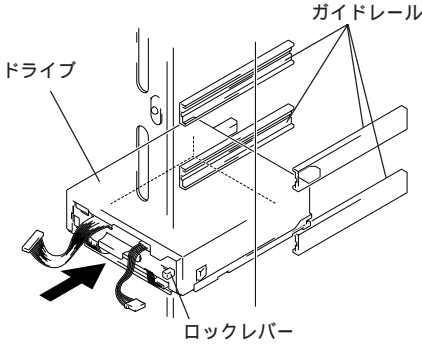
- SCSI-IDの設定
同一のSCSIバス上で、SCSI-IDが重複しないようにしてください。
- ターミネートスイッチの設定
SCSIバスの終端となるドライブのターミネートスイッチはONにしてください。

静電気に関する注意

ドライブを取り扱う場合、各コネクター端子部分には絶対に触れないでください。

また、チェンジャーにドライブを追加する場合は身体の一部をチェンジャー本体の金属部に接触させてから行ってください。

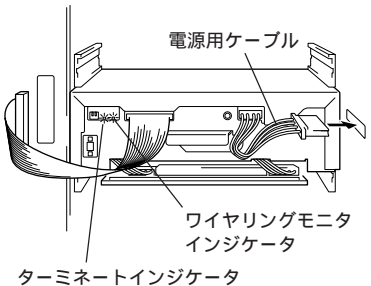
1. チェンジャーのガイドレールにドライブを載せ、カチッと音がし、ロックレバーが「LOCK」側に倒れるまで押し込みます。



ドライブをチェンジャーから取り外すときは、ロックレバーを「RELEASE」側へ倒しながら引き抜きます。

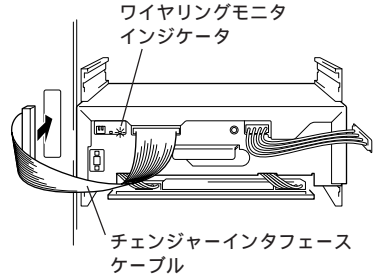
2. 電源用ケーブルを接続します。

- ワイヤリングモニタインジケータが点灯します。
- ターミネートスイッチがON のときには、ターミネートインジケータも点灯します。



3. チェンジャーインタフェースケーブルを接続します。

- ワイヤリングモニタインジケータが2秒周期で点滅します。



ご注意：

チェンジャーインタフェースケーブルは、ドライブを取り付けたベイに対応するコネクタに接続してください。(コネクタには対応するベイ番号のラベルが貼ってあります。誤って隣接するコネクタに接続した場合、ディスクを破損することがあります。)

4. SCSI インタフェースケーブルを接続します。

SCSI ケーブルの配線は、チェンジャーをどのような構成にするかによって異なります。詳しくは700枚ディスクチェンジャー「DRM-7000」の取扱説明書をご参照ください。

リージョン（地域）コードについて

地域コードは、DVD 規格の一部です。

DVD ビデオディスク及び DVD ビデオプレーヤには発売地域ごとに再生可能な地域コードが設けられており、ディスクとプレーヤの地域コードが一致しなければ再生は行えません。

このドライブの地域コードの変更は（初回の設定を含め）5 回しか行えません（5 回目の変更が最終の地域コードとして固定されます）ので、変更を行う際には十分に注意してください。

* 地域コードの変更（設定）方法は、使用するデコーダや OS 等により異なります。

仕 様

[一般性能]

ディスク直径	12cm
転送レート(サスティンド)	max. 8,100 KB/s (DVD-ROM/DVD-R)* max. 4,800 KB/s (CD-ROM/CD-R)*
アクセスタイム(ランダム平均値)	120 ms (DVD-ROM) 90 ms (CD-ROM)
データバッファ容量	512 KB

* 使用するディスクの品質及び記録状態によっては、転送レートが低下します。

[その他]

電源（内蔵ターミネータ使用時）	DC + 12 V, 1.0 A DC + 5 V, 1.0 A
外形寸法	187.2(幅)×72.5(高さ)×260.7(奥行き) mm
質量（重量）	1.8 kg
動作温度	+5 ~ +35
動作湿度	5 % ~ 85 %（結露のないこと）
保存温度	-40 ~ +60
保存湿度	5 % ~ 90 %（結露のないこと）

● 仕様および外観は改良のため予告なく変更する場合があります。

AFTER-SALES SERVICE FOR PIONEER PRODUCTS

Please contact the dealer or distributor from where you purchased the product for its after-sales service (including warranty conditions) or any other information. In case the necessary information is not available, please contact the Pioneer's subsidiaries (regional service headquarters) listed below:

PLEASE DO NOT SHIP YOUR PRODUCT TO THE COMPANIES

at the addresses listed below for repair without advance contact, for these companies are not repair locations.

AMERICA

PIONEER ELECTRONICS SERVICE, INC.
CUSTOMER SUPPORT DIVISION
P.O. BOX 1760, LONG BEACH, CA 90801-1760, U.S.A.

EUROPE

PIONEER EUROPE N.V.
EUROPEAN SERVICE DIVISION
HAVEN 1087, KEETBERGLAAN 1, B-9120 MELSELE, BELGIUM

ASEAN

PIONEER ELECTRONICS ASIACENTRE PET. LTD.
SERVICE DEPARTMENT
253 ALEXANDRA ROAD, #04-01
SINGAPORE 159936

JAPAN AND OTHERS

PIONEER ELECTRONIC CORPORATION (HEAD OFFICE)
CUSTOMER SUPPORT CENTER
4-1, MEGURO 1-CHOME, MEGURO-KU, TOKYO 153-8654 JAPAN

France : tapez 36 15 PIONEER

この取扱説明書は再生紙を使用しています。

© 2000 パイオニア株式会社 禁無断転載

Published by Pioneer Corporation.
Copyright © 2000 Pioneer Corporation.
All rights reserved.

パイオニア株式会社 ☎ 153-8654 東京都目黒区目黒 1丁目4番1号

PIONEER CORPORATION 4-1, Meguro 1-Chome, Meguro-ku, Tokyo 153-8654, Japan

Business System Company: 15-5, Ohmorinishi 4-Chome, Ohta-ku, Tokyo 143-8564 Japan TEL: 81-3-3763-2369

PIONEER NEW MEDIA TECHNOLOGIES, INC.

Laser Optical Systems Division: 2265 East 220th Street, Long Beach, CA 90810, U.S.A. TEL: 1-310-952-2111

PIONEER ELECTRONIC [EUROPE] N.V.

PIONEER House, Hollybush Hill, STOKE POGES, SLOUCH SL2 4QP U.K. TEL: +44-1753-789-789

PIONEER ELECTRONICS OF CANADA, INC.

Industrial Products Department: 300 Allstate Parkway, Markham, Ontario L3R OP2, Canada TEL: 905-479-4411

PIONEER ELECTRONICS AUSTRALIA PTY. LTD.

178-184 Boundary Road, Braeside, Victoria 3195, Australia TEL: +61-3-9586-6300

PIONEER ELECTRONICS ASIACENTRE PTE. LTD.

253 Alexandra Road, #04-01, Singapore 159936 TEL: +65-472-1111