

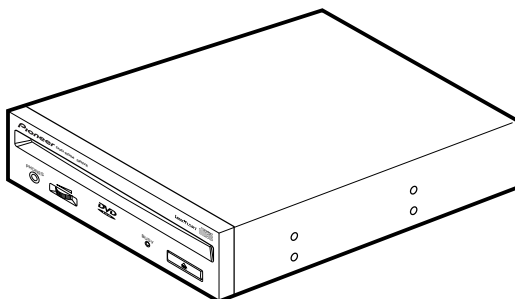
# Pioneer

## LaserMemory™

# DVD-A05S

DVD-ROM DRIVE UNIT  
UNITE DE LECTEUR DE DVD-ROM  
DVD-ROMドライブユニット

Operating instructions  
Mode d'emploi  
使用説明書



English

Français

日本語

Thank you for buying this PIONEER product. Please read through these operating instructions so you will know how to operate your unit properly. After you have finished reading the instructions, put them away in a safe place for future reference.

## IMPORTANT



The lightning flash with arrowhead symbol, within an equilateral triangle, is intended to alert the user to the presence of uninsulated "dangerous voltage" within the product's enclosure that may be of sufficient magnitude to constitute a risk of electric shock to persons.

## CAUTION

**RISK OF ELECTRIC SHOCK  
DO NOT OPEN**

**CAUTION:**  
TO PREVENT THE RISK OF ELECTRIC SHOCK, DO NOT REMOVE COVER (OR BACK). NO USER-SERVICEABLE PARTS INSIDE. REFER SERVICING TO QUALIFIED SERVICE PERSONNEL.



The exclamation point within an equilateral triangle is intended to alert the user to the presence of important operating and maintenance (servicing) instructions in the literature accompanying the appliance.

**WARNING:** TO PREVENT FIRE OR SHOCK HAZARD, DO NOT EXPOSE THIS APPLIANCE TO RAIN OR MOISTURE.

## IMPORTANT NOTICE:

RECORD THE MODEL NUMBER AND SERIAL NUMBER OF THIS EQUIPMENT BELOW. THE NUMBERS ARE ON THE TOP PANEL.

**MODEL NO.**         DVD-A05S        

**SERIAL NO.** \_\_\_\_\_

KEEP THESE NUMBERS FOR FUTURE USE.

This product complies with the EMC Directives (89/336/EEC, 92/31/EEC) and CE Marking Directive (93/68/EEC).

Ce produit est conforme aux directives relatives à la compatibilité électromagnétique (89/336/CEE, 92/31/CEE) et à la directive CE relative aux marquages (93/68/CEE).

Dieses Produkt entspricht den EMV-Richtlinien (89/336/EEC, 92/31/EEC) und CE-Markierungsrichtlinien (93/68/EEC).

Questo prodotto è conforme alle direttive EMC (89/336/CEE, 92/31/CEE) e alla direttiva sul marchio CE (93/68/CEE).

Dit produkt voldoet aan de EMC-richtlijnen (89/336/EEC en 92/31/EEC) en de CE-markeringsrichtlijn (93/68/EEC).

Denna produkt uppfyller föreskrifterna i EMC-direktiv (89/336/EEC, 92/31/EEC) och CE-märkningsdirektiv (93/68/EEC).

Este producto cumple con las Directivas EMC (89/336/CEE, 92/31/CEE) y Directiva de Marcación CE (93/68/CEE).

Este produto cumpre com as Directivas EMC (89/336/CEE, 92/31/CEE) e Directiva da Marcação CE (93/68/CEE).

Dette produkt er i overensstemmelse med direktiverne vedrørende elektromagnetisk kompatibilitet (89/336/EEC, 92/31/EEC) og CE-direktivet vedrørende mærkning (93/68/EEC).

**WARNING!**  
Om apparaten används på annat sätt än i denna bruksanvisning specificerats, kan användaren utsättas för osynlig laserstrålning som överskrider gränsen för laserklass 1.

**ADVARSEL:**  
Usynlig laserstrålning ved åbning når sikkerhedsafbrydere er ude af funktion. Undgå udsættelse for stråling.

**VAROITUS!**  
Laitten käyttäminen muulla kuin tässä käyttöohjeessa mainitulla tavalla saattaa altistaa käyttäjän turvallisuusluokan 1 ylittävälle näkymättömälle lasersäteilylle.

FEDERAL COMMUNICATIONS COMMISSION DECLARATION OF CONFORMITY

*This device complies with part 15 of the FCC Rules. Operation is subject to the following two conditions: (1) This device may not cause harmful interference, and (2) this device must accept any interference received, including interference that may cause un-desired operation.*

Product Name: DVD-ROM DRIVE UNIT  
Model Number: DVD-A05S  
Responsible Party Name: PIONEER ELECTRONICS SERVICE, INC.  
Address: 1925 E. DOMINGUEZ ST. LONG BEACH, CA 90810 U.S.A.  
Phone: (310) 952-2820

	<b>사용자 안내문</b>
<b>B 급기기</b>	이 기기는 비업무용으로 전자파 장애 검정을 받은 기기로서 주거지역에서는 물론 모든 지역에서 사용할 수 있습니다.

# SAFETY INSTRUCTIONS

---

To ensure your personal safety and to maximize the full operating potential of your Drive, read and follow these safety precautions:

**ENVIRONMENT** - Please do not use the unit at places with much dust, high temperature, or high humidity. Please use the unit at a place where it is not subjected to vibrations or shocks.

**POWER** - Turn off your system and attached hardware devices before installation.

**READ INSTRUCTIONS** - Read all safety and operating instructions before the Drive is operated.

**RETAIN INSTRUCTIONS** - Retain the safety and operating instructions for future reference.

**FOLLOW INSTRUCTIONS** - Follow all operating and use instructions.

**HEED WARNINGS** - All warnings must be adhered to.

**CLEANING - DO NOT** use liquid, aerosol cleaners, or alcohol. Use only a damp cloth to clean the exterior housing.

**WATER AND MOISTURE - DO NOT** use this product near water.

**POWER SOURCES** - Operate this product from the type of power source indicated on the marking label. If you are not sure of the type of power available, consult Authorized Pioneer Dealer.

**OVERLOADING - DO NOT** overload wall outlets and extension cords. Doing so can result in fire or electric shock.

**OBJECT AND LIQUID ENTRY** - Never push objects of any kind into this product. Touching dangerous voltage points may cause a short resulting in fire or electric shock. Do not spill liquid of any kind on this product.

**CONDENSATION** - Moisture will form in the operating section of the product causing performance to be impaired if it is brought from cool surroundings into a warmer environment. If you are moving the unit to a location with a warmer temperature, let the product stand for 1-2 hours in the new location before turning it back on.

**SERVICING** - Do not attempt to repair this product yourself. Opening or removing covers may expose you to dangerous voltage or other hazards. Refer all servicing to qualified service personnel. (Refer to the enclosed Service and Support Card.)

## IMPORTANT

### CAUTION

This product contains a laser diode of higher class than 1. To ensure continued safety, do not remove any covers or attempt to gain access to the inside of the product.

Refer all servicing to qualified personnel.

The following caution label appears on your unit.

Location: on top of the cover



**CLASS 1 LASER PRODUCT**  
**LASER KLASSE 1**

For pluggable equipment the socket-outlet shall be installed near the equipment and shall be easily accessible.

## SAFETY INSTRUCTIONS



**RADIO SIGNAL INTERFERENCE** - This equipment has been tested and found to comply with the limits for a Class B digital device, pursuant to Part 15 of the FCC Rules. These limits are designed to provide reasonable protection against harmful interference in a residential installation. This equipment generates, uses, and can radiate radio frequency energy and, if not installed and used in accordance with the instructions, may cause harmful interference to radio communications. However, there is no guarantee that interference will not occur in a particular installation. If this equipment does cause harmful interference to radio or television reception, which can be determined by turning the equipment off and on, the user is encouraged to try to correct the interference by one or more of the following measures:

- ⇒ Reorient or relocate the receiving antenna.
- ⇒ Increase the separation between the equipment and receiver.
- ⇒ Connect the equipment into an outlet on a circuit different from that to which the receiver is connected.
- ⇒ Consult the dealer or an experienced radio/TV technician for help.

### [For Canadian model]

This Class B digital apparatus complies with Canadian ICES-003.

### [Pour le modèle Canadien]

Cet appareil numérique de la Classe B est conforme à la norme NMB-003 du Canada.



**LASER DIODE** - This product contains a laser diode. To assure continued safety, **DO NOT** remove any covers or attempt to gain access to the inside of the product.

#### CAUTION:

USE OF CONTROLS OR ADJUSTMENTS OR PERFORMANCE OF PROCEDURES OTHER THAN THOSE SPECIFIED HEREIN MAY RESULT IN HAZARDOUS RADIATION EXPOSURE.

#### CAUTION:

USE OF OPTICAL INSTRUMENTS WITH THIS PRODUCT WILL INCREASE EYE HAZARD.

### Information to User

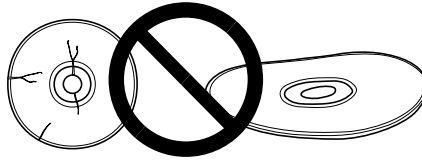
Alteration or modifications carried out without appropriate authorization may invalidate the user's right to operate the equipment.

*The Generation of Acoustical Noise Is Less Than 70dB.  
(ISO7779/DIN45635)*

## SAFETY INSTRUCTIONS



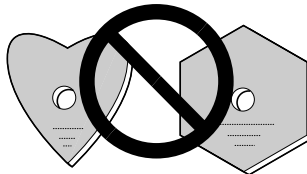
DO NOT use damaged, cracked, or warped discs. If they break inside the unit, they may damage the optics. The disc in the drive unit rotates at high speed.



DO NOT use non-standard discs, as these may adversely influence this unit and other equipment.



DO NOT play a CD having other shape than a circular disc, such as heart shaped disc, or malfunction may occur.



The enclosed device driver is for use with MS-DOS/Windows 3.XX. This driver is not required for use with Windows 95 or Windows 98.

\* MS-DOS and Windows are trademarks of Microsoft Corporation.

*Das Geräuschaufkommen beträgt weniger als 70 dB.  
(ISO 7779/DIN 45635)*

### VORSICHT

Dieses Gerät enthält eine Laserdiode mit einer höheren Klasse als 1. Um einen stets sicheren Betrieb zu gewährleisten, weder irgendwelche Abdeckungen entfernen, noch versuchen, sich zum Geräteinneren Zugang zu verschaffen. Alle Wartungsarbeiten sollten qualifiziertem Kundendienstpersonal überlassen werden.

Das nachstehende Hinweisschild befindet sich am Gerät.

Anbringstelle: auf der Deckeloberseite.

**CLASS 1 LASER PRODUCT  
LASER KLASSE 1**

Bei Geräten mit Steckern sollte sich der Ausgangsstecker nahe dem anderen Gerät befinden und einfach zugänglich sein.

# FEATURES

---

- High-speed reading  
Transfer rate (sustained):  
maximum 21,600 kBytes/sec. (DVD-ROM)  
maximum 6,000 kBytes/sec. (CD-ROM)

**NOTE:**

*The data transfer rate may not be output due to disc conditions (scratches, etc.).*

- High-speed access (Random average):  
100 ms (DVD-ROM)  
80 ms (CD-ROM)

- ATAPI correspondence
- Buffer size: 512 kBytes
- Applicable discs  
DVD-ROM  
DVD-Video  
DVD-R  
CD-ROM Mode 1  
CD-ROM XA Mode 2 (Form 1, 2)  
CD-DA  
CD-R, CD Extra, Video CD, CD-Text support  
CD-RW/DVD-RW disc reading

**NOTES:**

*This product can read out CD-RW/DVD-RW disc data. Note the following:*

- (1) A little longer time is needed to sense a CD-RW/DVD-RW disc when the operation starts, compared with standard CD-ROM/DVD-ROM discs.*
- (2) Since playback signal level of CD-RW/DVD-RW is lower than the replicated CD/DVD discs, reading speed of those discs is lower than that of the replicated discs to ensure data reading.*
- (3) Blank discs, discs that you failed to write data or discs that session close processing has not been made - these discs cannot be used.*
- (4) The operations may not start or the data may not be read out under the following conditions: The quality of the recorded signal has deteriorated due to the dirt or scratches on the disc, or frequently rewrote discs.*

*If you fail to start the operation, take out the disc and reinsert it to try again to start.*

- Correspond to Kodak Photo CD multisession
- Conforming to MPC-3 specifications
- Half-height size
- Slot in loading
- Windows 9X and Windows 2000 supported

\*Windows is a trademark of Microsoft Corporation.

# A HARDWARE TOUR

Illustrations are provided in this chapter as a visual introduction to the Drive. Please Familiarize yourself with these illustrations and refer to them when necessary to complete the installation and operation of the unit.

## FRONT VIEW

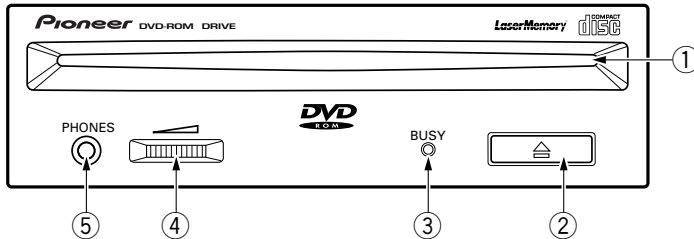



Fig. 1

### ① Disc loading slot

Insert the DVD-ROM or CD-ROM with the label facing up.

#### Precautions on playing 8 cm/3-inch Discs

- When playing 8 cm/3-inch discs, always use the adapter for 8 cm/3-inch discs. Before loading the disc into the DVD-ROM drive unit, be sure to check that it is secured properly by the catches of the adapter. If discs have been inserted without the adapter by mistake, remove the disc immediately by pressing the eject button. If the disc does not come out with one press, press it once again.
- Use 8 cm/3-inch disc adapters labeled with the  mark (recommended standard product). Do not use adapters which cause the disc to idle, nor adapters which are bent or curved.

### ② Eject (▲) button

This button is used to eject the disc.

### ③ BUSY indicator

Flashes during data access.

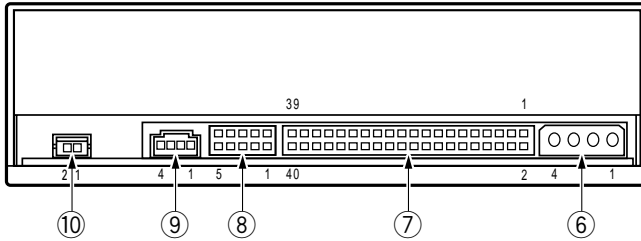
### ④ Volume control (headphone level)

This is used to adjust the volume level of the headphone jack.

### ⑤ Headphone jack (PHONES)

This is a stereo minijack for headphones.

## REAR VIEW



**Fig. 2**

### ⑥ DC input

This is the power supply input for DC +5 V and +12 V.

Pin	Name	Function
1	+12	Power supply input for DC +12 V.
2	G	Ground.
3	G	Ground.
4	+5	Power supply input for DC +5 V.

### ⑦ Host IDE interface

This is a 40 pin I/O connector according to the ATA specifications.

### ⑧ Device configuration jumper

This is the jumper switch for selection of the drive use mode and supporting PC.

Short-circuit socket is attached for the setting

attached : on                      not attached : off

Pin	Name	Function	
1	MA	on	The drive is used in master mode.
2	SL	on	The drive is used in slave mode.
3	CS	on	Mode for drive setting by CSEL of the IDE interface.
4		Reserved.	
5		Reserved.	

### ⑨ Audio output

This is a connector for output of analog audio.

As a Molex 70553 type connector is used, select a matching connection cable.

Pin	Name	Function
1	L	Left channel audio output.
2	G	Ground.
3	G	Ground.
4	R	Right channel audio output.

### ⑩ Digital audio output

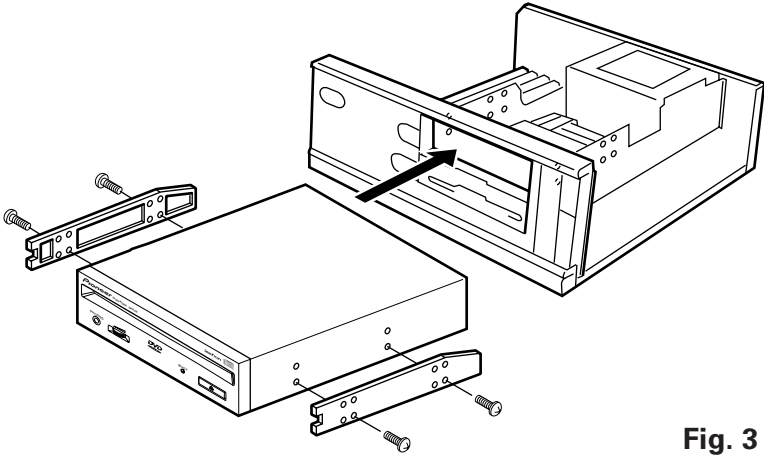
This is a connector for output of digital audio signal.

Pin	Name	Function
1	GND	Ground.
2	Digital Out	Digital audio signal output.



# TO INSTALL THE DRIVE

---



**Fig. 3**

- Turn off the power of the personal computer and remove the cover or the front panel.
- Remove the blank panel installed at the front of the 5.25 inch slot. Installation is not possible when there is no empty slot.
- Install the fixation slide rails on the drive. (If slide rails are required, contact the shop where you bought the computer or the computer manufacturer.)
- Insert the drive into the slot.
- If fixing is required, fix the drive according to the instruction manual for the computer.



Use mounting screws with a length of 5 mm (3/16 in.) or less. Using longer screws may cause damage on the drive.

---



Install the drive after the power supply of the personal computer has been turned off.

---



When the mounting screws are loose etc., the vibrations from disc rotation may generate ripping noise, to prevent it the screws should be tightened securely.

---

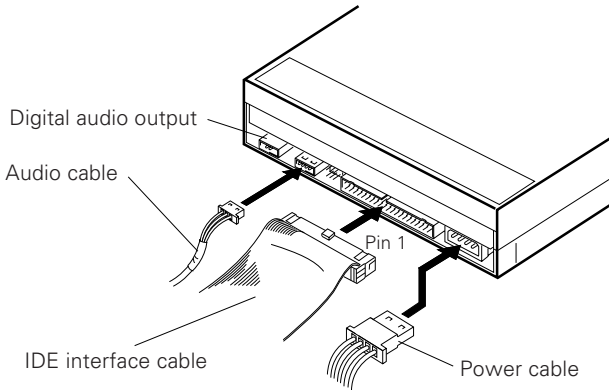


The drive installation method differs according to the computer type. For details, please refer to the manuals of your computer.

---

# CONNECTION

---



**Fig. 4**

- Turn off the power supply of the personal computer.
- Connect the power supply cable from the personal computer. At the time of connection, please pay attention to the cable polarity.
- Connect the IDE interface cable. At this time, confirm that the pin 1 of the IDE connector is connected correctly to pin 1 of the cable.
- When a sound board is used, connect the audio output with an audio cable to the sound board.



**WARNING**

The power supply of the personal computer must be turned off before cables are connected.



**WARNING**

Be sure to supply electrical power for this product from the personal computer which is connected to it. Do not use any other power supply than the internal one of the personal computer.

---

# SPECIFICATIONS

---

## [General functions]

Disc diameter	12 cm ( 4.72 in. ), 8 cm (3.15 in. )*
* When using 8 cm discs, attach a CD adapter (available at stores) to the disc.	
Transfer rate (Sustained)	
DVD-ROM	maximum 21,600 kBytes/sec.*
CD-ROM	maximum 6,000 kBytes/sec.*
* The data transfer rate may not be output due to disc conditions (scratches, etc.).	
Access time (Random average)	
DVD-ROM	100 ms
CD-ROM	80 ms
Data buffer capacity	512 kBytes

## [Audio output part]

Line	0.7 Vrms ± 0.1 Vrms (at 10 kΩ load)
------	-------------------------------------

## [Others]

Power supply	DC +12 V, 1.4 A (peak), 1.3 A (normal) DC +5 V, 1.2 A (peak), 0.8 A (normal)
External dimensions ( including front panel )	148 (W) x 42.3 (H) x 207.5 (D) mm 5-27/32 (W) x 1-11/16 (H) x 8-5/32 (D) in.
Weight	1.0 kg ( 2.2 lb )
Operation temperature	+ 5°C to +45°C ( 41°F to 113°F )
Operation humidity	5% to 85% (no condensation)
Storage temperature	- 40°C to +60°C ( -40°F to 140°F )
Storage humidity	5% to 90% (no condensation)

## [Accessories]

- Software device driver diskette x 1
- Short-circuit socket x 1
- Audio cable x 1
- Mounting screw x 4
- Operating instructions x 1
- Installation instructions x 1

### **NOTE:**

*Specifications and design subject to possible modifications without notice, due to improvements.*

# ABOUT REGION CODES

---

Region codes are part of the DVD standard. There is a Region number located within one or all of the components required for DVD-VIDEO playback. The Region number defines the region of the DVD-ROM drive and its playback hardware/software. DVD-VIDEO discs may also contain a Region number in the shape of a world globe. Unless the Region number on both the DVD-VIDEO disc and DVD-ROM drive and its playback components match, playback is not possible. When the word "ALL" is located in the world globe on a DVD-VIDEO disc, that particular DVD-VIDEO disc can be played on all DVD-ROM drives and its playback components, regardless of its region.

## World Regions Numbers (1-6)

1. United States, Canada, Puerto Rico, Bermuda, the Virgin Islands, and some islands in the Pacific.
2. Japan, Western Europe (including Poland, Romania, Bulgaria, and the Balkans), South Africa, Turkey, and the Middle East (including Iran and Egypt).
3. Southeast Asia (including Indonesia, South Korea, Hong Kong, and Macao).
4. Australia, New Zealand, South America, most of Central America, Papua New Guinea, and most of the South Pacific.
5. Most of Africa, Russia (and former Russian states), Mongolia, Afghanistan, Pakistan, India, Bangladesh, Nepal, Bhutan, and North Korea.
6. China and Tibet.

The region code on the DVD-A05S can be changed **ONLY** 5 times, including the 1st setting. Please be aware that the 5th change will be PERMANENT. Therefore please pay attention when changing the region code.

### **NOTE:**

*The method of changing the Region number will vary depending on the Decoder/Operating System used.*

# INSTRUCTIONS DE SECURITE

---

Pour garantir votre sécurité personnelle et obtenir le maximum de votre lecteur, lire et suivre ces consignes de sécurité:

**ENVIRONNEMENT** - Ne pas utiliser cet appareil dans des endroits avec beaucoup de poussière, une température ou une humidité élevée. Utiliser l'appareil à un endroit où il n'est pas soumis à des vibrations ou des chocs.

**ALIMENTATION** - Couper l'alimentation du système et des dispositifs raccordés avant l'installation.

**LIRE LES INSTRUCTIONS** - Lire toutes les instructions de sécurité et d'utilisation avant d'actionner le lecteur.

**CONSERVER LES INSTRUCTIONS** - Garder les instructions de sécurité et d'utilisation pour une future référence.

**SUIVRE LES INSTRUCTIONS** - Suivre toutes les instructions de fonctionnement et d'utilisation.

**ATTENTION AUX AVERTISSEMENTS** - Observer tous les avertissements.

**NETTOYAGE - NE PAS** utiliser de liquides, de détachants en aérosol ou de l'alcool. N'utiliser qu'un chiffon humide pour nettoyer les surfaces extérieures du boîtier.

**EAU ET HUMIDITE - NE PAS** utiliser ce produit à proximité d'eau.

**SOURCES D'ALIMENTATION** - Utiliser ce produit avec le type d'alimentation indiqué sur l'étiquette de fabrication. En cas de doute à propos du type d'alimentation disponible, consulter un revendeur Pioneer agréé.

**SURCHARGE - NE PAS** surcharger les prises murales et les rallonges pour ne pas entraîner d'incendie ou de secousse électrique.

**PENETRATION D'OBJETS ET DE LIQUIDES** - Ne jamais enfoncer d'objet d'aucune sorte dans ce produit. Le contact avec des points de tension dangereux peut provoquer un court-circuit, entraînant un incendie ou une secousse électrique. Ne pas verser de liquide d'aucune sorte sur ce produit.

**CONDENSATION** - De l'humidité se forme sur la section de fonctionnement du produit entraînant une baisse de performances s'il est amené d'un endroit frais vers un environnement plus chaud. En cas de déplacement de l'appareil vers un endroit ayant une température plus chaude, laisser le produit pendant 1 à 2 heures dans le nouvel endroit avant de le remettre sous tension.

**ENTRETIEN** - Ne pas essayer de réparer soi-même ce produit. L'ouverture ou le retrait des capots peut vous exposer à une tension dangereuse ou d'autres dangers. Pour tout entretien, demander à un personnel d'entretien qualifié. (Se reporter à la carte d'entretien et de support jointe.)

## INSTRUCTIONS DE SECURITE

*La production de bruits acoustiques est inférieure à 70 dB.  
(ISO7779/DIN45635)*

### ATTENTION

Ce produit renferme une diode à laser d'une catégorie supérieure à 1. Pour garantir une sécurité constante, ne pas retirer les couvercles ni essayer d'accéder à l'intérieur de l'appareil. Pour toute réparation, s'adresser à un personnel qualifié.

L'étiquette d'avertissement suivante apparaît sur votre appareil.

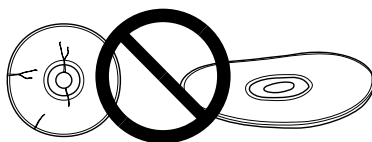
Emplacement: sur le dessus du couvercle

**CLASS 1 LASER PRODUCT  
LASER KLASSE 1**

Dans le cas d'appareils enfichables, la prise doit être facilement accessible et placée le plus près possible de l'appareil.



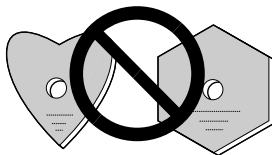
NE PAS utiliser de disques endommagés, fissurés ou déformés. S'ils se cassent à l'intérieur de l'appareil, ils risquent d'endommager la lentille. Les disques tournent à grande vitesse à l'intérieur de l'appareil.



NE PAS utiliser de disques non standard, car ils peuvent avoir une mauvaise influence sur cet appareil et d'autres équipements.



Sous peine de provoquer des défaillances, ne reproduisez pas de CD ayant une forme autre que circulaire, telle que des disques en forme de coeur.



Le lecteur de dispositif joint est pour une utilisation avec MS-DOS/Windows 3.XX. Il n'est pas nécessaire pour une utilisation de cet appareil avec Windows 95 ou Windows 98.

\* MS-DOS et Windows sont des marques déposées de Microsoft Corporation.

# CARACTERISTIQUES PRINCIPALES

---

- Lecture à haute vitesse  
Vitesse de transfert (continue):  
maximum 21.600 KO/sec. (DVD-ROM)  
maximum 6.000 KO/sec. (CD-ROM)

**REMARQUE :**

*Il se peut que le taux de transfert de données ne soit pas affiché en raison de l'état du disque (rayures, etc.).*

- Accès à haute vitesse (Moyenne aléatoire):  
100 ms (DVD-ROM)  
80 ms (CD-ROM)

- Correspondance avec ATAPI
- Tampon de données: 512 koctets
- Disques utilisables  
Disque optique DVD-ROM  
DVD-Video  
DVD-R  
Disque optique CD-ROM Mode 1  
Disque optique CD-ROM XA Mode 2 (Forme 1, 2)  
CD-DA  
Support CD-R, CD extra, CD vidéo, CD-Text  
Lecture de disque CD-RW/DVD-RW

**REMARQUES:**

*Cet appareil peut lire les données inscrites sur les CD-RW/DVD-RW. Toutefois, veuillez noter ce qui suit.*

- (1) *L'examen initial d'un CD-RW/DVD-RW exige un temps légèrement plus long que celui d'un CD-ROM/DVD-ROM standard.*
- (2) *Comme le niveau du signal de lecture des disques CD-RW/DVD-RW est plus bas que celui des disques CD/DVD dupliqués, la vitesse de lecture de ces disques est plus lente que celle des disques dupliqués de manière à assurer la lecture des données.*
- (3) *Vous ne pouvez pas utiliser des disques vierges, des disques sur lesquels l'écriture de données a été infructueuse ou les disques qui n'ont pas fait l'objet d'une fermeture de session.*
- (4) *Dans les cas suivants, le fonctionnement peut être impossible et il peut en être de même de la lecture des données.*

*La qualité du signal enregistré est altérée en raison des poussières ou des rayures que porte le disque, ou bien le disque a fait l'objet de trop nombreuses réécritures.*

*Si le fonctionnement n'est pas possible, retirez le disque du lecteur puis réintroduisez-le et effectuez une nouvelle tentative.*

- Correspondre avec multisession CD Kodak Photo
- Conforme aux spécifications MPC-3
- Format demi-hauteur
- Lecteur en charge
- Windows 9X et Windows 2000 soutenu

\* Windows est un marque déposée de Microsoft Corporation.

# TOUR DU MATERIEL

Des illustrations sont fournies dans ce chapitre comme introduction visuelle au lecteur. Nous vous prions de vous familiariser avec ces illustrations et de vous y reporter en cas de nécessité pour compléter l'installation et l'opération de l'appareil.

## VUE AVANT

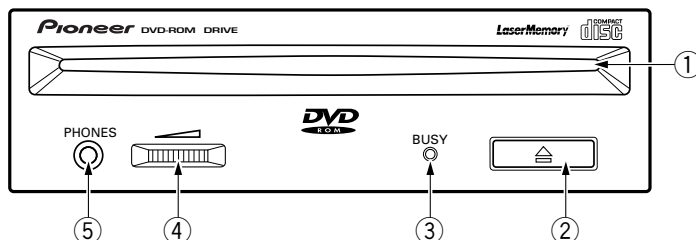



Fig. 1

### ① Chargeur de disque

Insérez le DVD-/CD-ROM l'étiquette vers le haut.

#### Precautions a prendre lors de la lecture de disques de 8 cm

- Lors de la lecture de disques de 8 cm, toujours utiliser l'adaptateur pour ce type de disques. Avant de charger le disque dans l'unité de lecture de DVD-ROM, vérifier qu'il est bien maintenu en place par les encoches de l'adaptateur. Si des disques ont été insérés par erreur sans utiliser l'adaptateur, il faut enlever ces disques immédiatement en poussant sur le bouton d'éjection. Si le disque ne réussit pas à sortir sous l'effet de la pression, appuyer une nouvelle fois sur le bouton.
- Utiliser des adaptateurs pour disques de 8 cm portant la marque  (produit standard recommandé). Ne pas utiliser d'adaptateurs qui entraîne une rotation à vide du disque, ni non plus des adaptateurs ondulés ou pliés.

### ② Touche d'éjection (▲)

Cette touche sert à éjecter le disque.

### ③ Témoin occupé (BUSY)

Clignote pendant l'accès des données.

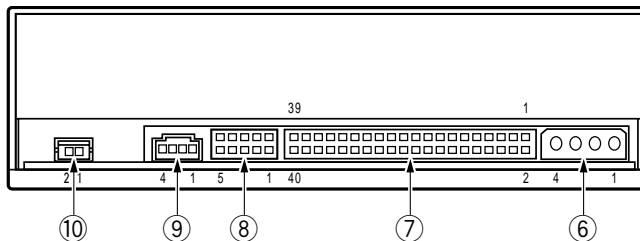
### ④ Commande de volume (niveau de casque d'écoute)

Cette commande est utilisée pour régler le niveau de volume de la prise de casque d'écoute.

### ⑤ Prise de casque d'écoute (PHONES)

Cette prise est une mini prise stéréo pour casque d'écoute.



**VUE DE LA FACE ARRIERE****Fig. 2****⑥ Prise d'entrée CC (DC INPUT)**

Entrée d'alimentation CC de 5 V et 12 V.

Broche	Nom	Fonction
1	+12	Entree d'alimentation pour +12 V C.C.
2	Terre	Mise à la masse.
3	Terre	Mise à la masse.
4	+5	Entree d'alimentation pour +5 V C.C.

**⑦ Interface IDE hôte**

Connecteur d'entrée/sortie à 40 broches conforme aux spécifications ATA.

**⑧ Commutateur de configuration**

Commutateur à cavalier permettant la sélection du mode de fonctionnement du lecteur et acceptant le PC.

La prise court-circuitée est fixée pour le réglage

fixée : activé (on)                      non fixée : désactivé (off)

Broche	Nom	Fonction
1	MA	on   Le lecteur est utilisé en mode maître.
2	SL	on   Le lecteur est utilisé en mode asservi.
3	CS	on   Pour permettre le réglage du lecteur par CSEL de l'interface IDE.
4		Réservé.
5		Réservé.

**⑨ Sortie audio**

Connecteur de sortie du signal audio analogique.

Du fait qu'un Molex 70553 est utilisé, sélectionner un câble de raccordement correspondant.

Broche	Nom	Fonction
1	Gauche	Sortie audio canal gauche.
2	Terre	Mise à la masse.
3	Terre	Mise à la masse.
4	Droite	Sortie audio canal droit.

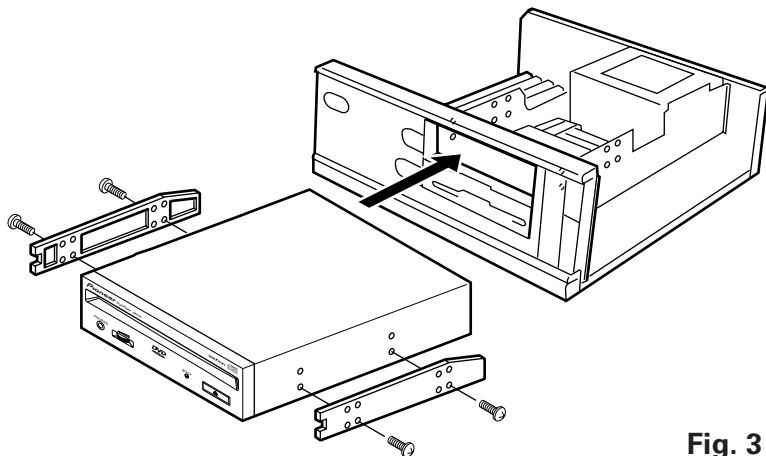
**⑩ Sortie audionumérique**

Il s'agit d'un connecteur pour la sortie des signaux audionumériques.

Broche	Nom	Fonction
1	GND	Mise à la masse.
2	Digital Out	Sortie audionumérique.

# POUR INSTALLER LE LECTEUR

---



**Fig. 3**

- Couper l'alimentation de l'ordinateur personnel, et déposer le couvercle ou le panneau avant.
- Déposer le panneau vierge installé à l'avant de la fente de 5,25 pouces. L'installation n'est pas possible s'il n'y a pas de fente vide.
- Installer les rails coulissants de fixation sur le lecteur. (Si des rails coulissants sont nécessaires, contacter le magasin où a été acheté l'ordinateur ou le fabricant d'ordinateur.)
- Insérer le lecteur dans la fente.
- Si la fixation est nécessaire, fixer le lecteur en fonction du mode d'emploi de l'ordinateur.



Utiliser des vis de fixation ayant une longueur inférieure ou égale à 5 mm.  
L'utilisation de vis plus longues peut endommager le lecteur.

---



Installer le lecteur après avoir coupé l'alimentation de l'ordinateur personnel.

---



Lorsque les vis de fixation ne sont pas suffisamment serrées, etc., les vibrations provoquées par la rotation du disque peuvent générer un bruit de déchirure et il faut donc serrer les vis solidement pour éliminer ce bruit.

---

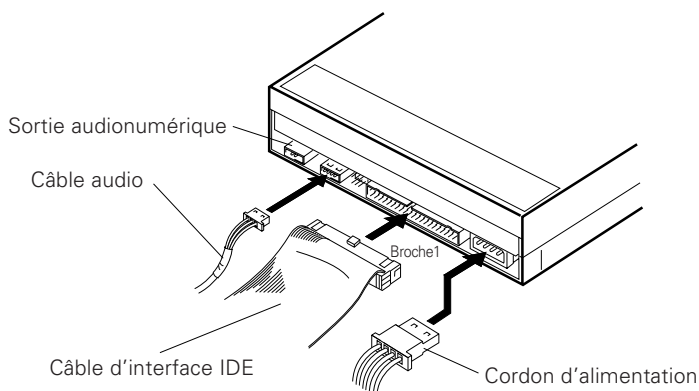


La méthode d'installation du lecteur varie selon le type d'ordinateur. Pour les détails, se reporter aux manuels de votre ordinateur.

---

# RACCORDEMENT

---



**Fig. 4**

- Mettre l'ordinateur personnel hors tension.
- Connecter le câble d'alimentation de l'ordinateur personnel. Au moment de la connexion, faire attention à la polarité des câbles.
- Connecter le connecteur d'interface IDE. A ce moment, confirmer que la broche 1 du connecteur IDE est correctement connectée à la broche 1 du câble.
- Lorsqu'une plaque sonore est utilisée, connecter la sortie audio avec un câble audio à la plaque sonore.



## **AVERTISSEMENT**

L'alimentation de l'ordinateur personnel doit être coupée avant la connexion des câbles.

---



## **AVERTISSEMENT**

N'oubliez pas que l'alimentation de cet appareil doit être fournie par l'ordinateur auquel il est relié. N'utilisez aucune autre alimentation que celle de l'ordinateur personnel.

---

# FICHE TECHNIQUE

---

## [Généralités]

Diamètre du disque	12 cm, 8 cm*
* <i>En utilisant des disques de 8 cm, montez un adaptateur CD (disponible dans le commerce) sur le disque.</i>	
Vitesse de transmission (Continu)	
DVD-ROM	maximum 21.600 KO/s*
CD-ROM	maximum 6.000 KO/s*
* <i>Il se peut que le taux de transfert de données ne soit pas affiché en raison de l'état du disque (rayures, etc.).</i>	
Temps de recherche (Aléatoire moyenne)	
DVD-ROM	100 ms
CD-ROM	80 ms
Capacité de mémoire tampon de données	512 KO

## [Sortie audio]

Ligne	0,7 Vrms (efficace) ±0,1 Vrms (à charge de 10 kΩ)
-------	--

## [Divers]

Alimentation	CC +12 V, 1,4 A (crête), 1,3 A(normal) CC +5 V, 1,2 A (crête), 0,8 A (normal)
Dimensions externes (façade comprise)	148 (L) x 42,3 (H) x 207,5 (P) mm
Poids	1,0 kg
Température de fonctionnement	+5°C à 45°C
Humidité de fonctionnement	5% à 85% (sans condensation)
Température de rangement	- 40°C à +60°C
Humidité de rangement	5% à 90% (sans condensation)

## [Accessoires]

- Disquette de gestionnaire de périphérique x 1
- Cavalier x 1
- Câble audio x 1
- Vis de fixation x 4
- Mode d'emploi x 1
- Instructions d'installation x 1

### **REMARQUE :**

*Aux fins d'amélioration, les caractéristiques techniques et la conception sont susceptibles de modification sans préavis.*

# A PROPOS DES CODES REGIONAUX

---

Les codes régionaux sont couverts par la norme DVD. Un code régional figure dans un ou plusieurs composants nécessaires à la lecture des disques DVD-VIDEO. Le code régional définit la région du lecteur DVD-ROM ainsi que son matériel/logiciel de lecture. Les disques DVD-VIDEO peuvent aussi contenir un numéro de région sous la forme d'un globe terrestre. La lecture n'est possible que si le code régional du disque DVD-VIDEO correspond à celui du lecteur DVD-ROM et de ses composants de lecture. Lorsque le globe terrestre d'un disque DVD-VIDEO renferme le mot "ALL", ce disque peut être lu sur tous les lecteurs de DVD-ROM et ses composants de lecture, quelle que soit sa région.

## Numéros des régions à travers le monde (1-6)

1. Etats-Unis, Canada, Puerto Rico, Bermudes, Iles Vierges, et certaines îles du Pacifique.
2. Japon, Europe de l'Ouest (y compris la Pologne, la Roumanie, la Bulgarie et les pays des Balkans), l'Afrique du Sud, la Turquie et le Moyen-Orient (y compris l'Iran et l'Egypte).
3. Asie du Sud-Est (y compris l'Indonésie, la Corée du Sud, Hong Kong et Macao).
4. Australie, Nouvelle-Zélande, Amérique du Sud, la plupart des pays d'Amérique Centrale, la Papouasie Nouvelle-Guinée et la plupart des pays du Pacifique Sud.
5. La plupart des pays d'Afrique, la Russie (et les anciennes républiques de l'URSS), la Mongolie, l'Afghanistan, le Pakistan, l'Inde, le Bangladesh, le Népal, le Bhoutan et la Corée du Nord.
6. Chine et Tibet.

Le code régional du DVD-A05S peut être modifié 5 fois **SEULEMENT** (premier réglage compris). N'oubliez donc pas que la cinquième modification devient DEFINITIVE. Soyez donc particulièrement vigilant lorsque vous modifiez le code régional

### **REMARQUE:**

*Le mode de modification du code régional dépend du décodeur/système d'exploitation utilisé.*

# 使用上の注意

---

本機を操作する前に、必ずこの取扱説明書をお読みください。

お読みになった後は、必ず保管してください。使用中にわからないことや不具合が生じたとき、きっとお役に立ちます。

ホコリの多い場所や、高温・多湿の場所では使用しないでください。

振動や衝撃の加わらないようにしてください。

本機をシステムに組み込む際は、必ず本機とシステムの電源を切った状態で行ってください。

異物や水が入らないよう注意してください。

必ず、指定した電源に接続してください。

動作中に本機を動かしたり持ち上げたりしないでください。

結露に注意してください。結露した場合は、1～2時間程度放置してから使用してください。

内部点検や改造はお止めください。

ご使用中に本機から異常な音やにおいがしたときは、必ず電源を切ってから、点検を受けてください。

本機の外観の清掃は柔らかい布で乾拭きしてください。汚れがひどい場合は中性洗剤を水で5～6倍に薄め、柔らかい布を浸してよく絞った後、汚れを拭き取り、その後乾いた布で拭いてください。ベンジン、シンナー、アルコール、殺虫剤等の揮発性の薬品をかけると表面が侵されることがありますので、使用しないでください。



ディスクは機器内で高速回転します。異常なディスク（ひびの入ってしまったディスクや大きくそってしまったディスク）は使用しないでください。

---



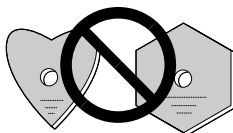
規格外のディスクを使用しないでください。  
使用した場合、本機および他の機器に悪影響をおよぼす場合があります。

---



特殊な形のディスク（ハート形や六角形等）を使用しないでください。  
故障の原因となることがあります。

---



# 特 長

- データ転送速度 ( サステイン )

max. 21,600 kB/s (DVD-ROM)

max. 6,000 kB/s (CD-ROM)

\*使用するディスクの状態 (キズ等) によっては、転送レートが低下します。

- アクセスタイム ( ランダムアクセス平均 )

100 ms (DVD-ROM)

80 ms (CD-ROM)

- ホストインターフェース

ATAPI

- バッファサイズ

512 kB

- 対応フォーマット

DVD-ROM

DVD-Video

DVD-R

CD-ROM Mode 1

CD-ROM XA Mode 2 (form 1、form 2)

CD-DA、CD-R、CD-Extra、Video-CD、CD-Text

CD-RW/DVD-RW\*

\*本機はCD-RW/DVD-RWディスクの読み出しをサポートしていますが、以下の点に留意してください。

1. CD-RW/DVD-RWディスクを判別するために通常のディスクよりも起動時間がかかります。
2. CD-RW/DVD-RWの再生信号レベルは通常のCD/DVDよりも小さいため、CD-RW/DVD-RWディスクの読み出し速度は、通常のCD/DVDディスクよりも遅くなります。
3. ブランクディスクや書き込みに失敗したディスク、セッションクローズ処理が行われていないディスク等は使用できません。
4. 書き込みドライブの書き込み速度や、ディスクの汚れ、傷、また書き換え回数によって記録された信号の品質の悪化によっては、起動や読み出しが正常に行えない場合があります。起動に失敗した場合は、一度ディスクを取り出してからもう一度入れて再起動してみてください。起動に成功する場合があります。

- Kodak フォトCDマルチセッション対応

- MPC Level 3 準拠

- スロットインローディング

- Plug & Play (Windows 9X およびWindows 2000対応)

付属のデバイスドライバはMS-DOS/Windows 3.XX用です。

このデバイスドライバはWindows 95およびWindows 98には対応していません。

MS-DOS、Windowsはマイクロソフト社の登録商標です。

# 各部の名称と働き

各部の名称と、その機能について説明しています。よくご理解いただき、設置、操作が必要があれば参照してください。

## 前面部

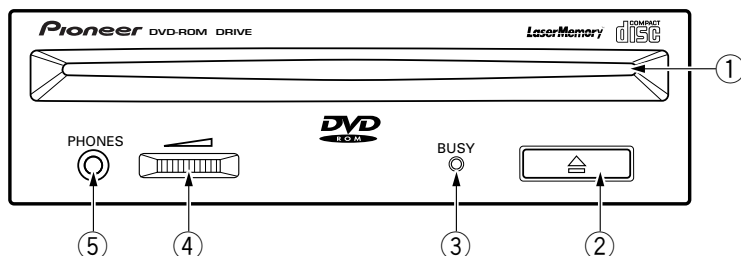



図1

### ① ディスク挿入口

ディスクのラベル面を上にして挿入してください。

8cmディスクを再生するときの注意：

- 8cmディスクを再生するときは、必ず市販のアダプターを使用してください。ドライブユニットに挿入する前に、ディスクがツメに正しく装着されていることを必ず確認してください。誤って、アダプターなしで8cmディスクを挿入したときは、直ちにイジェクトボタンを押してディスクを取り出してください。
- 8cmディスク用アダプターは  マークの付いたもの(推奨規格適合品)を使用してください。また、アダプターを装着したときに、ディスクが空回りしやすいものや、反り、ねじれがあるものは使用しないでください。

### ② イジェクト (▲) ボタン

ディスクを取り出すボタンです。

### ③ ビジー (BUSY) インジケータ

データアクセス中に点滅します。

### ④ ボリュームコントロール

ヘッドホン端子の音量を調整する時に使用します。

### ⑤ ヘッドホン端子

ヘッドホンを接続するステレオミニジャックです。



## 後面部

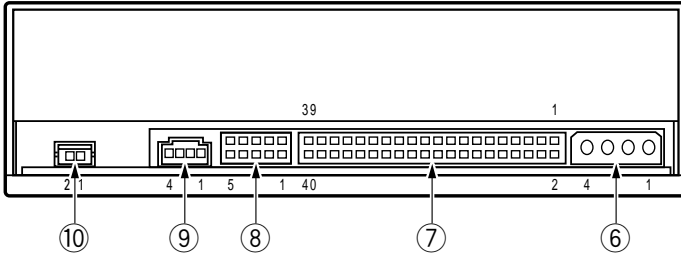


図2

## ⑥ DC INPUT 端子

DC+5Vおよび+12V電源の入力です。

ピン	名称	機能
1	+12	DC+12V電源入力
2	G	接地
3	G	接地
4	+5	DC+5V電源入力

## ⑦ ホストIDE インターフェース

ATA仕様に準拠する40ピンI/Oコネクタです。

## ⑧ デバイスコンフィギュレーションジャンパー

ドライブの使用モードを選択し、コンピューターをサポートするためのジャンパースイッチです。短絡ソケットは、取り付けるとON、取り付けないとOFFに設定されます。

ピン	名称	機能
1	MA	ON   ドライブがマスターモードで使用されます。
2	SL	ON   ドライブがスレーブモードで使用されます。
3	CS	ON   IDEインターフェースのCSELによるドライブ設定モード
4		予備 (RESERVED)
5		予備 (RESERVED)

## ⑨ オーディオアウトポート端子

アナログオーディオ送出力用コネクタです。モレックス 70553 を使用していますので接続ケーブルはそれに適合したものを選択してください。

ピン	名称	機能
1	L	オーディオ出力 (Lch)
2	G	接地
3	G	接地
4	R	オーディオ出力 (Rch)

## ⑩ デジタルオーディオアウトポート端子

デジタルオーディオ送出力用コネクタです。

ピン	名称	機能
1	GND	接地
2	Digital Out	デジタルオーディオ信号出力

# ドライブの取り付けかた

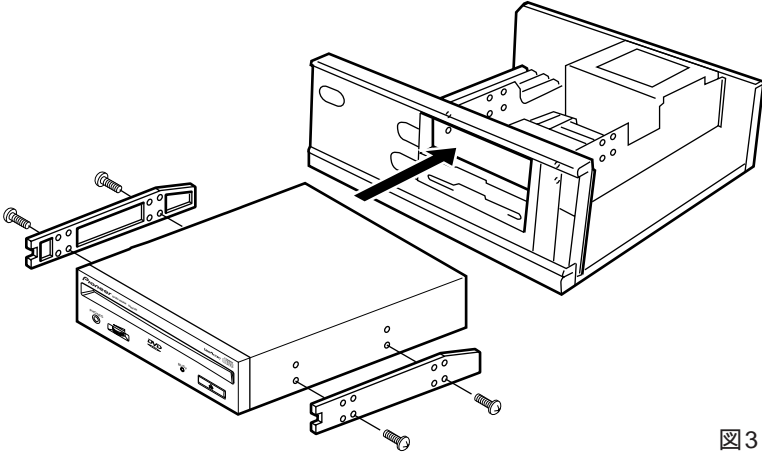


図3

- コンピュータの電源を切り、カバーまたはフロントパネルを取り外します。
- 5.25インチスロット前面に付けられているブランクパネルを外します。空スロットが無い場合は設置できません。
- ドライブに固定用スライドレールを取り付けます。（スライドレールが必要な場合は販売店またはコンピュータメーカーにお問い合わせください。）
- ドライブをスロット内に挿入してください。
- 固定が必要な場合にはコンピュータの取扱いマニュアルに従って固定してください。



取付け用ネジは5mm以下のものを使用してください。長いネジを使用した場合はドライブが損傷を受ける場合があります。



ドライブの取り付けは、コンピュータの電源を切ってから行ってください。



取付ネジにゆるみ等があると、ディスクの回転による振動でビリつき音が発生することがあるので、確実に取り付けてください。



ドライブの取り付け方法はコンピュータの種類によって異なります。詳しくはご使用になるコンピュータのマニュアルを見てください。

# 接続のしかた

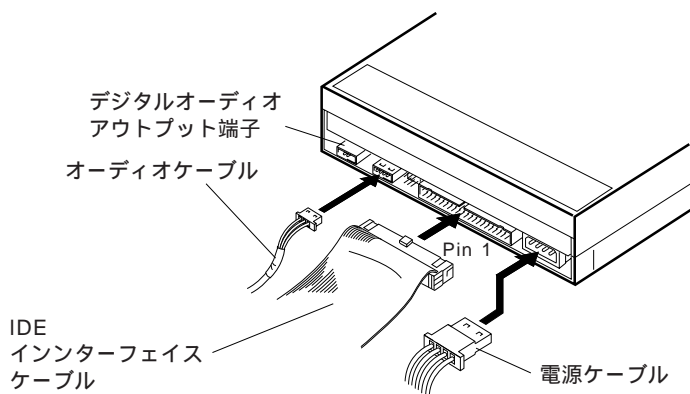


図4

- コンピュータの電源を切ります。
- コンピュータからの電源ケーブルを接続します。接続時はケーブルの極性に注意してください。
- IDEインターフェイスケーブルを接続します。この時ドライブのIDEコネクタのpin 1にケーブルのpin 1が正しく接続されていることを確認してください。
- サウンドボードを使用する場合は、オーディオアウトプット端子とサウンドボードの間をオーディオケーブルで接続します。



ケーブルを接続する時は必ずコンピュータの電源を切ってから行ってください。



本機の電源は必ず接続されているコンピュータからとってください。コンピュータの内蔵電源以外は使用しないでください。

# 仕様

---

## [ 一般性能 ]

ディスク直径	12cm、8cm*
*8cmディスク使用時は、ディスクを市販のアダプタに装着します。	
転送レート(サスティンド)	max. 21,600 kB/s (DVD-ROM)* max. 6,000 kB/s (CD-ROM)*
*使用するディスクの状態(キズ等)によっては、転送レートが低下します。	
アクセスタイム(ランダム平均値)	100 ms (DVD-ROM) 80 ms (CD-ROM)
データバッファ容量	512 kB

## [ 音声出力部 ]

ライン出力	0.7 Vrms ± 0.1 Vrms (10 k 負荷時)
-------	--------------------------------

## [ その他 ]

電源(内蔵ターミネータ使用時)	DC +12 V, 1.4 A (ピーク) 1.3 A (通常) DC +5 V, 1.2 A (ピーク) 0.8 A (通常)
外形寸法	148(幅) × 42.3(高さ) × 207.5(奥行き) mm
質量(重量)	1.0 kg
動作温度	+5 ~ +45
動作湿度	5% ~ 85% (結露のないこと)
保存温度	-40 ~ +60
保存湿度	5% ~ 90% (結露のないこと)

## [ 付属品 ]

- ソフトウェアデバイス  
ドライバーディスク ..... 1
- 短絡ソケット ..... 1
- オーディオケーブル ..... 1
- 取付ネジ ..... 4
- 取扱説明書 ..... 1
- インストール説明書 ..... 1

- 仕様および外観は改良のため予告なく変更する場合があります。

# リージョン(地域)コードについて

地域コードは、DVD規格の一部です。

DVDビデオディスク及びDVDビデオプレーヤには発売地域ごとに再生可能な地域コードが設けられており、(DVDビデオディスクの場合、地球儀マーク内の番号が地域コードを示します)ディスクとプレーヤの地域コードが一致しなければ再生は行えません。

コンピュータでのDVDビデオディスクの再生には、DVD-ROMドライブ、DVDプレーヤソフト及びデコーダ等のコンポーネントが必要です。DVDビデオプレーヤの場合と同様に、これらのコンポーネントには、地域コードが設けられており、この地域コードがディスクの地域コードと一致しなければ再生は行えません。

但し、ディスクの地域コードが“ALL”と記されている場合には、再生側の地域コードに関係なく再生が可能です。

## 地域コード区分

- 1：アメリカ合衆国、カナダ、プエルトリコ、バミューダ、米領バージン諸島、太平洋上の諸島
- 2：日本、西ヨーロッパ(ポーランド、ルーマニア、ブルガリア、及びバルカン諸島を含む)、南アフリカ共和国、ターキー、中東(イラン及びエジプトを含む)
- 3：東南アジア(インドネシア、韓国、香港、及びマカオを含む)
- 4：オーストラリア、ニュージーランド、中南米の大部分、パプアニューギニア、南太平洋の国々
- 5：アフリカの大部分、ロシア、モンゴリア、アフガニスタン、パキスタン、インド、バングラディッシュ、ネパール、ブータン及び北朝鮮
- 6：中国及びチベット

このドライブの地域コードの変更は(初回の設定を含め)5回しか行えません(5回目の変更が最終の地域コードとして固定されます)ので、変更を行う際には十分に注意してください。

\* 地域コードの変更(設定)方法は、使用するデコーダやOS等により異なります。





AFTER-SALES SERVICE FOR PIONEER PRODUCTS

Please contact the dealer or distributor from where you purchased the product for its after-sales service (including warranty conditions) or any other information. In case the necessary information is not available, please contact the Pioneer's subsidiaries (regional service headquarters) listed below:

PLEASE DO NOT SHIP YOUR PRODUCT TO THE COMPANIES at the addresses listed below for repair without advance contact, for these companies are not repair locations.

AMERICA

PIONEER ELECTRONICS SERVICE, INC.  
CUSTOMER SUPPORT DIVISION  
P.O. BOX 1760, LONG BEACH, CA 90801-1760, U.S.A.

EUROPE

PIONEER EUROPE N.V.  
EUROPEAN SERVICE DIVISION  
HAVEN 1087, KEETBERGLAAN 1, B-9120 MELSELE, BELGIUM

ASEAN

PIONEER ELECTRONICS ASIACENTRE PET. LTD.  
SERVICE DEPARTMENT  
253, ALEXANDRA ROAD #04-01  
SINGAPORE 159936

JAPAN AND OTHERS

PIONEER CORPORATION (HEAD OFFICE)  
CUSTOMER SUPPORT CENTER  
4-1, MEGURO 1-CHOME, MEGURO-KU, TOKYO 153-8654 JAPAN

**France : tapez 36 15 PIONEER**

この取扱説明書は再生紙を使用しています。

© 2000 パイオニア株式会社 禁無断転載

Published by Pioneer Corporation.

Copyright © 2000 Pioneer Corporation.

All rights reserved.

**パイオニア株式会社**

☎153-8654 東京都目黒区目黒1丁目4番1号

**PIONEER CORPORATION**

**Business Systems Company, Overseas Sales Department:** 4-15-5, Ohmori-nishi, Ohta-ku, Tokyo 143-0015, Japan  
**PIONEER NEW MEDIA TECHNOLOGIES, INC.**

**Multimedia and Mass Storage Division:** 2265 East 220th Street, Long Beach, CA 90810, U.S.A. TEL:800-444-OPTI (6784)  
**PIONEER ELECTRONICS SERVICE, INC.** 1925 East Dominguez St. Long Beach, CA 90810, U.S.A. TEL: 310-952-2820

**PIONEER ELECTRONIC [EUROPE] N.V.**

**Multimedia Division:** PIONEER House, Hollybush Hill, Stoke Poges, Slough SL2 4QP, U.K. TEL: +44-1753-789-789

**PIONEER ELECTRONICS OF CANADA, INC.**

**Industrial Products Department:** 300 Allstate Parkway, Markham, Ontario L3R OP2, Canada TEL: 905-479-4411

**PIONEER ELECTRONICS AUSTRALIA PTY. LTD.** 178-184 Boundary Road, Braeside, Victoria 3195, Australia TEL:+61-3-9586-6300

**PIONEER ELECTRONICS ASIACENTRE PTE. LTD.** 253 Alexandra Road, #04-01, Singapore 159936 TEL: +65-472-1111