

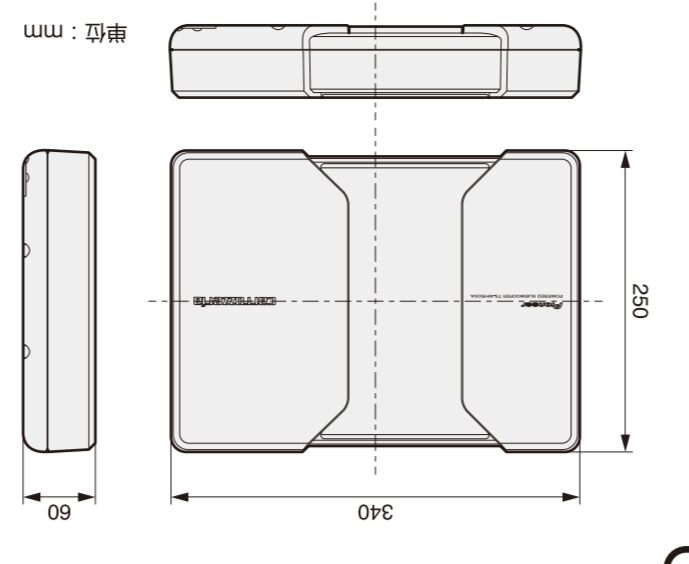
PIONEER CORPORATION

●付属品

- ①コネクタ 1個
- ②ネジ(4mm) 1個
- ③ネジ(6.5mm x 18mm) 1個
- ④コーキング剤 1個
- ⑤ネジ(6.5mm x 18mm) 2個

TS-WH500A
POWERED SUBWOOFER SYSTEM

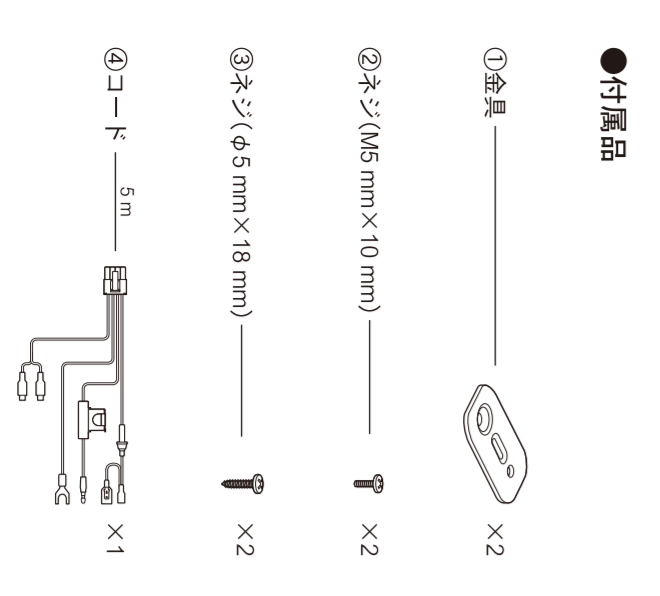
18 cm X 10 cm X 2



保証書在中 取扱説明書必ず併せてご覧ください。

System	Sealed System
総質量	4.80 kg
1個入	18 cm x 10 cm 2個
Woofler Size	150 W (Max Power)
Built-in Amplifier Output	50 Hz - 125 Hz, -12 dB/Oct.
Variable Crossover Frequencies	98 dB (1m car, Input: 2 V)
Peak Level	Speaker and RCA Level Inputs
Frequency Response	20 Hz - 200 Hz

4980000000000



THF5636-A/CN
THF5636-A/CN
THF5636-A/CN

CARROZZERIA
TS-WH500A
POWERED SUBWOOFER SYSTEM

18 cm X 10 cm X 2

Pioneer

●付属品

- ①ネジ(4mm) 2個
- ②ネジ(6.5mm x 18mm) 2個
- ③ネジ(6.5mm x 18mm) 1個
- ④コーキング剤 1個

OUTPUT 150W/MAX.
BUILT-IN AMP.



carrozzeria

HMT™
TS-WH500A
POWERED SUBWOOFER SYSTEM

18 cm X 10 cm X 2

Pioneer

CARROZZERIA
TS-WH500A
POWERED SUBWOOFER SYSTEM

18 cm X 10 cm X 2

Pioneer

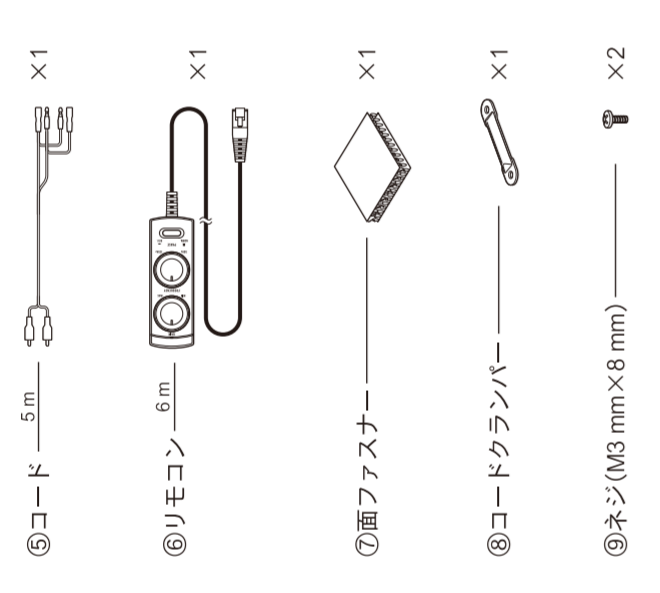
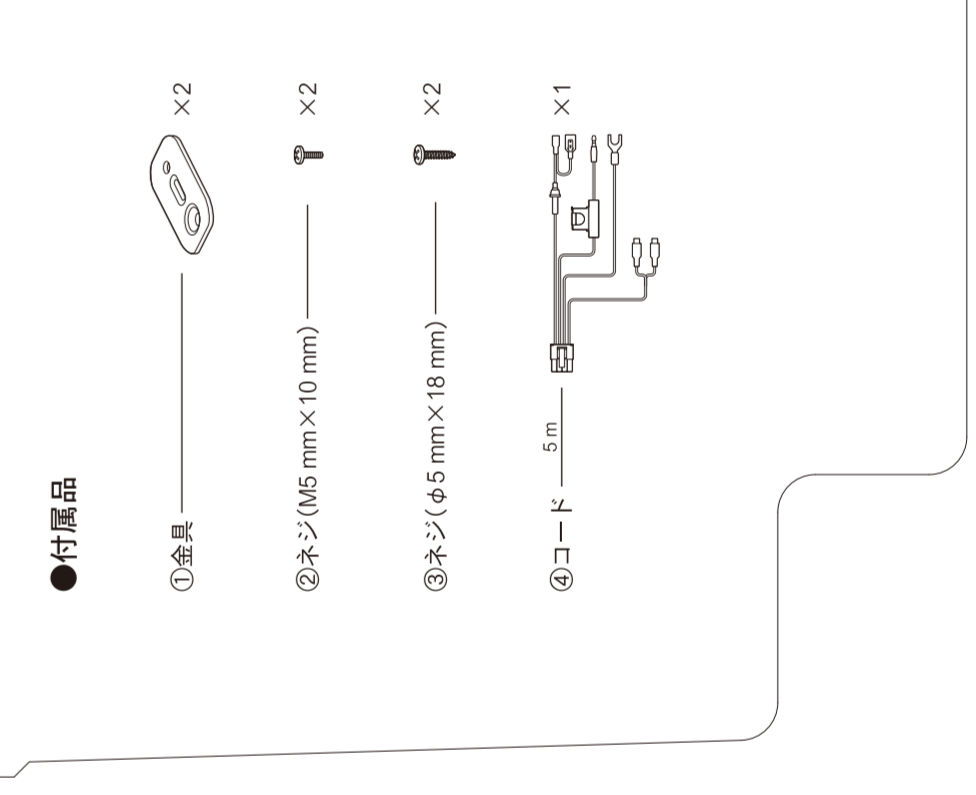
●付属品

- ①ネジ(6.5mm x 18mm) 2個
- ②ネジ(4mm) 2個
- ③ネジ(6.5mm x 18mm) 1個
- ④コーキング剤 1個



OUTPUT 150W/MAX.
BUILT-IN AMP.

Pioneer



TS-WH500A/XMDJP THF5636-A/CN

MADE IN CHINA